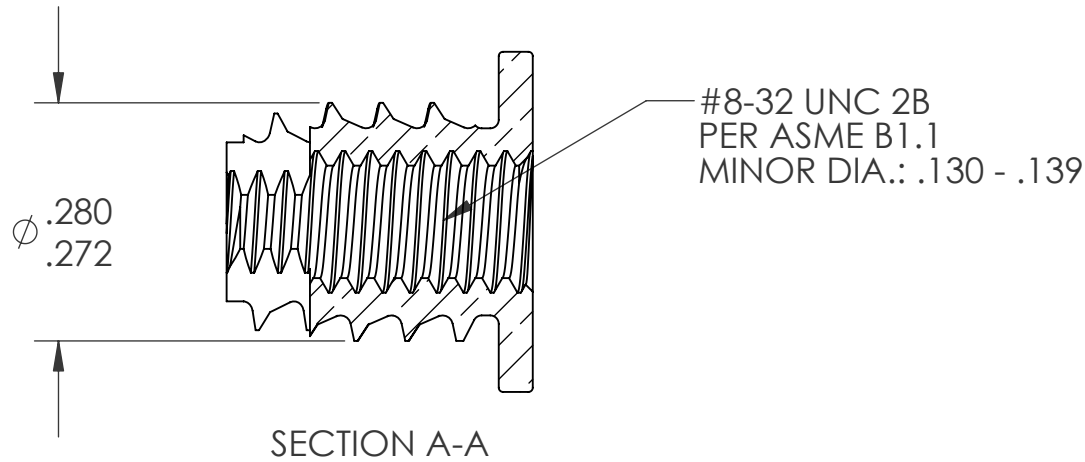
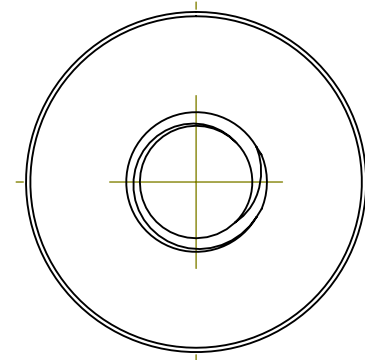
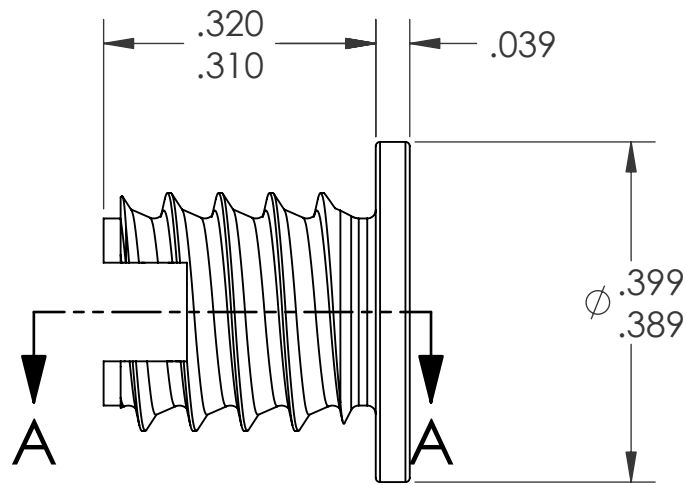



REVISIONS			
REV.	DESCRIPTION	DATE	ECN
A	INITIAL RELEASE	12/31/08	1131



NOTES:

- REFER TO CATALOG FOR RECOMMENDED BOSS DIMENSIONS

PROPRIETARY AND CONFIDENTIAL
 THIS DRAWING, AND THE INFORMATION CONTAINED HEREIN, ARE THE PROPERTY OF SHEREX AND ARE NOT TO BE USED IN ANY MANNER DETRIMENTAL TO THE INTEREST OF THE COMPANY.
 SHEREX RESERVES THE RIGHT TO REVISE PART/DRAWING WITHOUT NOTICE.

		UNLESS OTHERWISE SPECIFIED:					
		DIMENSIONS ARE IN INCHES TOLERANCES:		DRAWN			
		ANGULAR: MACH ±1 BEND ±1 TWO PLACE DECIMAL ±.01 THREE PLACE DECIMAL ±.005		CHECKED		JVK	12/9/08
		INTERPRET GEOMETRIC TOLERANCING PER: ASME Y14.5M-1994		ENG APPR.		JVK	12/9/08
		MATERIAL		MFG APPR.		TB	12/30/08
		BRASS C3604		Q.A.			
		FINISH		COMMENTS:		TITLE:	
		NONE		E-mail: info@sherex.com www.sherex.com Phone: 866-474-3739 Fax: 716-875-0358		FLANGED #8-32 THREADSERT	
NEXT ASSY		USED ON		SIZE		DWG. NO.	REV
				A		B2T-0832-315	A
APPLICATION		DO NOT SCALE DRAWING		SCALE: 4.5:1		WEIGHT:	SHEET 1 OF 1