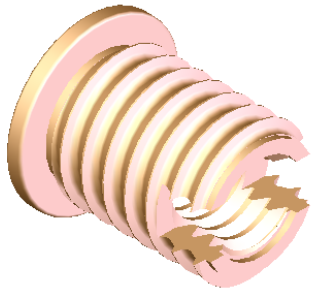
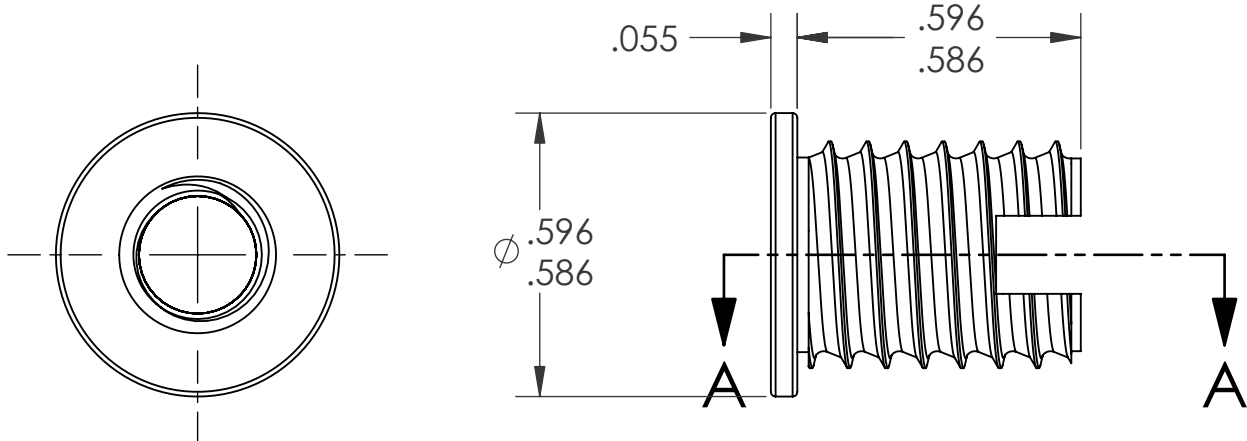
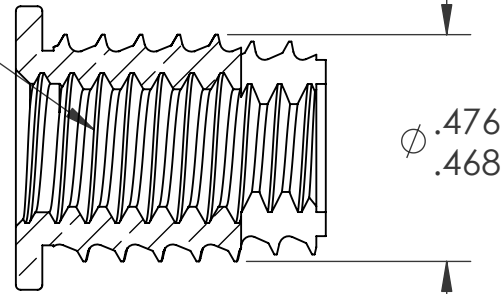


REVISIONS			
REV.	DESCRIPTION	DATE	ECN
A	INITIAL RELEASE	12/31/08	1131



5/16-18 UNC 2B  
PER ASME B1.1  
MINOR DIA: .252 - .265



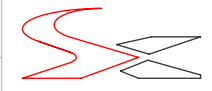
SECTION A-A

NOTES:

- REFER TO CATALOG FOR RECOMMENDED BOSS DIMENSIONS

**PROPRIETARY AND CONFIDENTIAL**  
THIS DRAWING, AND THE INFORMATION CONTAINED HEREIN, ARE THE PROPERTY OF SHEREX AND ARE NOT TO BE USED IN ANY MANNER DETRIMENTAL TO THE INTEREST OF THE COMPANY.  
  
SHEREX RESERVES THE RIGHT TO REVISE PART/DRAWING WITHOUT NOTICE.

		UNLESS OTHERWISE SPECIFIED: DIMENSIONS ARE IN INCHES TOLERANCES: ANGULAR: MACH ±1 BEND ±1 TWO PLACE DECIMAL ±.01 THREE PLACE DECIMAL ±.005		NAME	DATE
		INTERPRET GEOMETRIC TOLERANCING PER: ASME Y14.5M-1994		JVK	12/9/08
		MATERIAL BRASS C3604		CHECKED	
		FINISH NONE		ENG APPR.	JVK 12/9/08
				MFG APPR.	TB 12/30/08
				Q.A.	
				COMMENTS: E-mail: info@sherex.com www.sherex.com Phone: 866-474-3739 Fax: 716-875-0358	
NEXT ASSY	USED ON				
APPLICATION		DO NOT SCALE DRAWING			



TITLE:  
**5/16-18 FLANGED THREADSERT**

SIZE <b>A</b>	DWG. NO. B2T-3118-591	REV A
SCALE: 2.5:	WEIGHT: kg	SHEET 1 OF 1