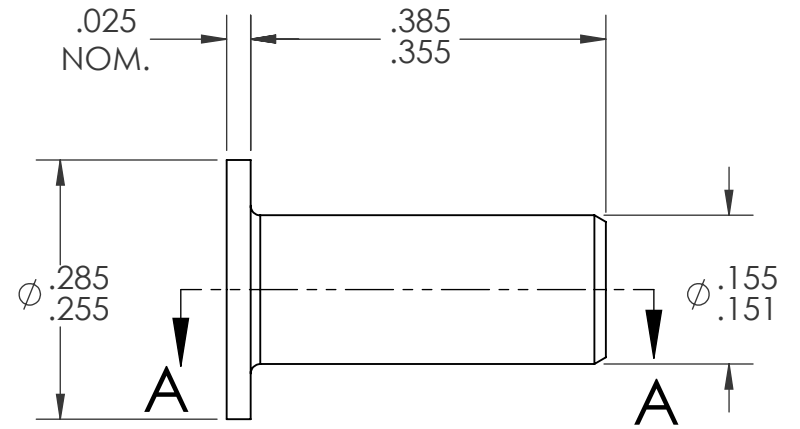
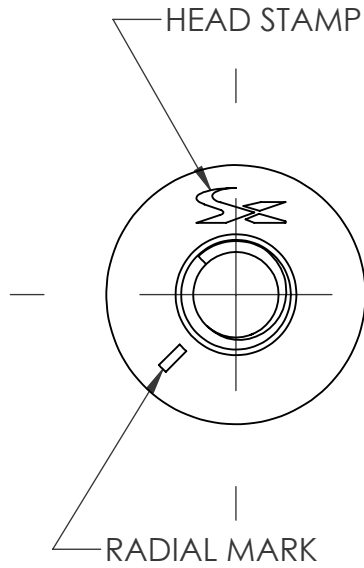
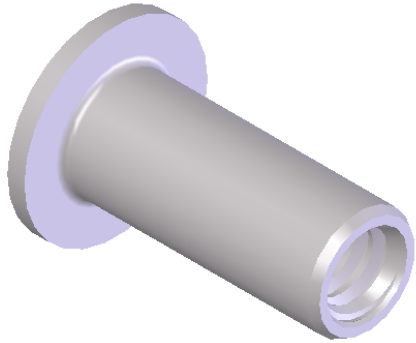
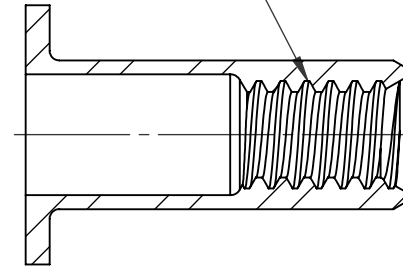


REVISIONS			
REV.	DESCRIPTION	DATE	ECN
A	TOLERANCES CHANGED	5/21/09	1186
B	UPDATE TO CURRENT FORMAT	6/2/10	1316
C	NEW FINISH PER SFS-01-001	3/6/15	1796



#4-40 UNC 2B (NOTE 6)  
PER ASME B1.1  
MINOR DIA.: .085 - .094



SECTION A-A

NOTE:

- GRIP RANGE: .060 - .085
- HOLE SIZE: .156 +.002/- .000 AFTER ALL APPLIED FINISHES.
- INSTALLED LENGTH: .230 REF.
- LUBRICATION: NONE
- INSTALLATION TOOL: SPIN-PULL
- MAY BE PRODUCED TO 3B THREAD CLASS DEPENDING ON THE MANUFACTURING LOT NUMBER OR CUSTOMER REQUIREMENT. SPECIFIC CLASS AVAILABLE UPON REQUEST.

**PROPRIETARY AND CONFIDENTIAL**

THIS DRAWING, AND THE INFORMATION CONTAINED HEREIN, ARE THE PROPERTY OF SHEREX AND ARE NOT TO BE USED IN ANY MANNER DETRIMENTAL TO THE INTEREST OF THE COMPANY.

SHEREX RESERVES THE RIGHT TO REVISE PART/DRAWING WITHOUT NOTICE.

		UNLESS OTHERWISE SPECIFIED:							
		DIMENSIONS ARE IN INCHES TOLERANCES:		DRAWN		NAME		DATE	
		ANGULAR: MACH ±1 BEND ±1 TWO PLACE DECIMAL ±.01 THREE PLACE DECIMAL ±.005		CHECKED		TOO		12/7/05	
		INTERPRET GEOMETRIC TOLERANCING PER: ASME Y14.5M-1994		ENG APPR.		TOO		12/7/05	
		MATERIAL		MFG APPR.		AJP		12/7/05	
		C1008/C1010/C1110		Q.A.					
NEXT ASSY		USED ON		COMMENTS:					
				E-mail: info@sherex.com					
				www.sherex.com					
				Phone: 866-474-3739					
				Fax: 716-875-0358					
APPLICATION		DO NOT SCALE DRAWING							
								TITLE:	
								FLAT HEAD OPEN END	
				SIZE		DWG. NO.		REV	
				A		CA-0440S-085		C	
				SCALE: 5:1		WEIGHT: .0006 kg		SHEET 1 OF 1	