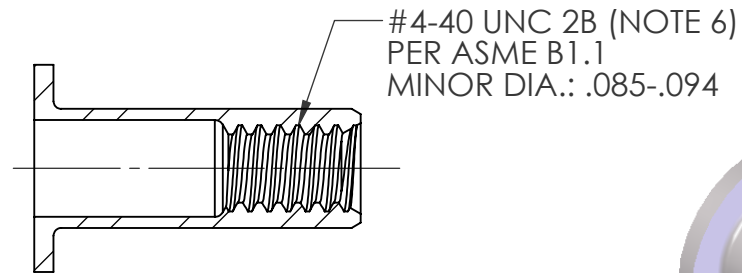
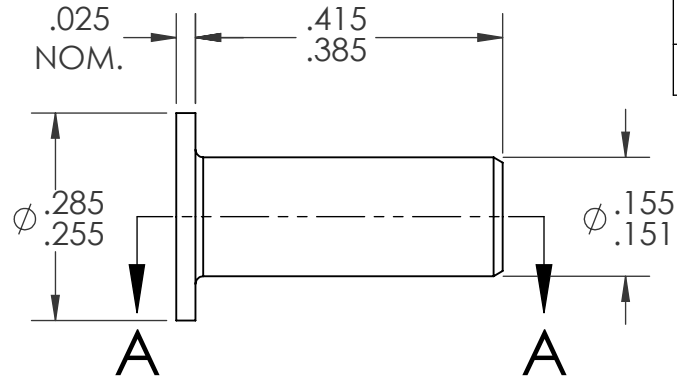
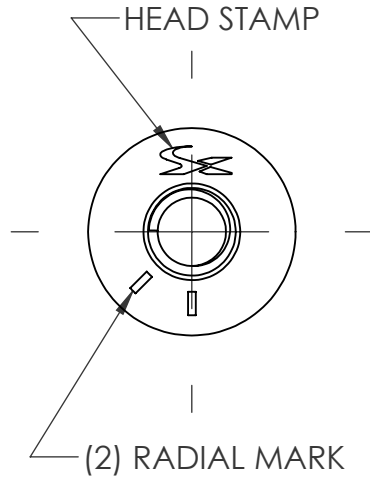
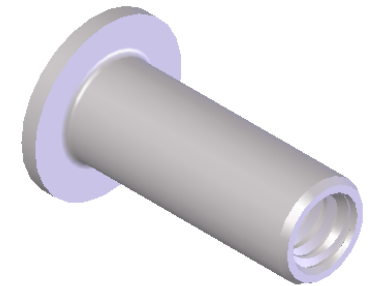


| REVISIONS |                           |         |      |
|-----------|---------------------------|---------|------|
| REV.      | DESCRIPTION               | DATE    | ECN  |
| A         | TOLERANCE CHANGED         | 5/21/09 | 1186 |
| B         | UPDATE TO CURRENT FORMAT  | 6/2/10  | 1316 |
| C         | NEW FINISH PER SFS-01-001 | 3/6/15  | 1796 |



SECTION A-A




NOTE:

- GRIP RANGE: .085 - .110
- HOLE SIZE: .156 +.002/-.000 AFTER ALL APPLIED FINISHES.
- INSTALLED LENGTH: .230 REF.
- LUBRICATION: NONE
- INSTALLATION TOOL: SPIN-PULL
- MAY BE PRODUCED TO 3B THREAD CLASS DEPENDING ON THE MANUFACTURING LOT NUMBER OR CUSTOMER REQUIREMENT. SPECIFIC CLASS AVAILABLE UPON REQUEST.

**PROPRIETARY AND CONFIDENTIAL**  
THIS DRAWING, AND THE INFORMATION CONTAINED HERIN, ARE THE PROPERTY OF SHEREX AND ARE NOT TO BE USED IN ANY MANNER DETRIMENT TO THE INTEREST OF THE COMPANY.  
SHEREX RESERVES THE RIGHT TO REVISE PART/DRAWING WITHOUT NOTICE.

|             |         |   |  |           |      |         |
|-------------|---------|---|--|-----------|------|---------|
|             |         | UNLESS OTHERWISE SPECIFIED:                                       |  | NAME      | DATE |         |
|             |         | DIMENSIONS ARE IN INCHES<br>TOLERANCES:                           |  |           |      |         |
|             |         | ANGULAR: MACH $\pm 1$   | BEND $\pm 1$   | DRAWN     | TOO  | 12/7/05 |
|             |         | TWO PLACE DECIMAL $\pm .01$                                       | THREE PLACE DECIMAL $\pm .005$   | CHECKED   |      |         |
|             |         | INTERPRET GEOMETRIC<br>TOLERANCING PER:<br>ASME Y14.5M-1994       |  | ENG APPR. | TOO  | 12/7/05 |
|             |         | MATERIAL<br>C1008/C1010/C1110                                     |  | MFG APPR. | AJP  | 12/7/05 |
| NEXT ASSY   | USED ON | FINISH<br>ZINC PLATE W/CLEAR TRIVALENT<br>CHROMATE PER SFS-01-001 |  | Q.A.      |      |         |
| APPLICATION |         | DO NOT SCALE DRAWING  | COMMENTS:<br>E-mail: info@sherex.com<br>www.sherex.com<br>Phone: 866-474-3739<br>Fax: 716-875-0358 |           |      |         |

|   |                          |              |  |
|---|--------------------------|--------------|--|
|  |                          |              |  |
|   |                          |              |  |
| SIZE<br><b>A</b>  | DWG. NO.<br>CA-0440S-110 | REV<br>C     |  |
| SCALE: 4:1  | WEIGHT: kg               | SHEET 1 OF 1 |  |