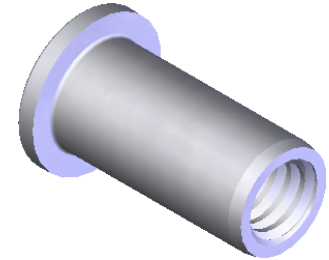
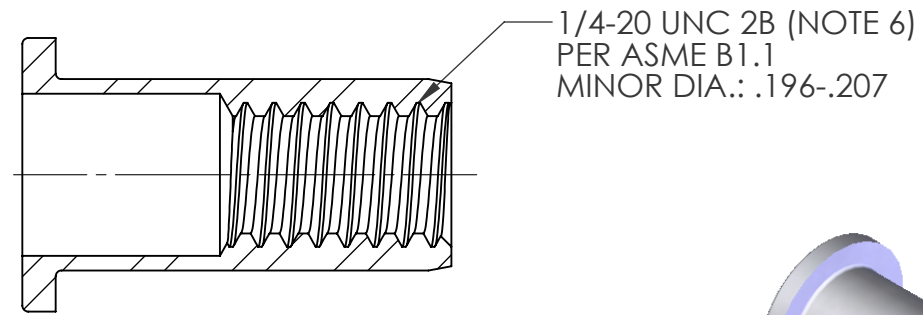
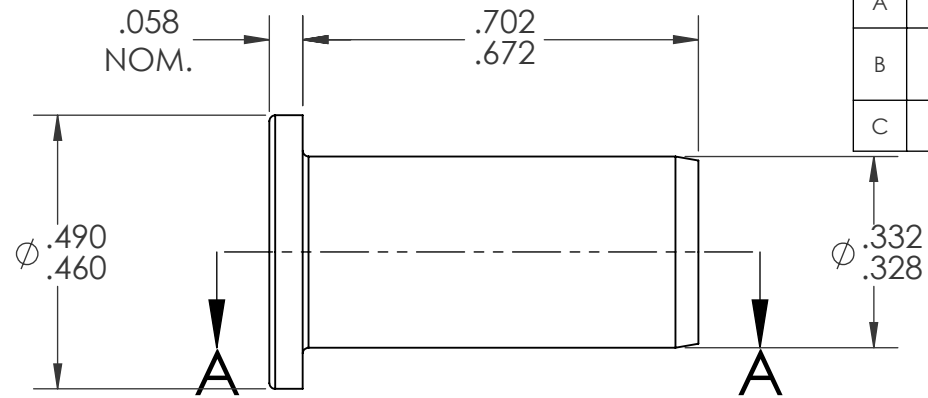
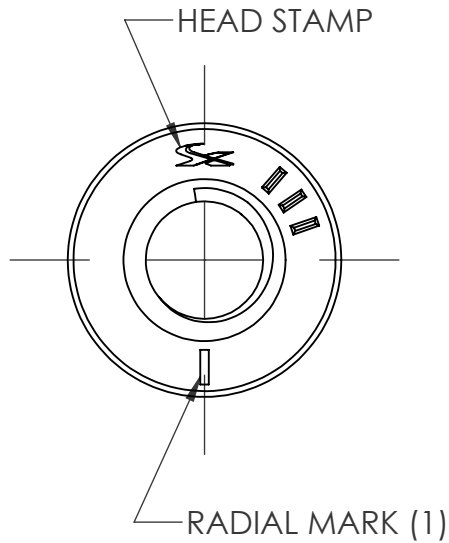


REVISIONS			
REV.	DESCRIPTION	DATE	ECN
A	NEW RELEASE	8/11/03	
B	UPDATE TO CURRENT FORMAT	6/2/10	1316
C	NEW FINISH SFS-01-001	1/23/15	1749



- NOTE:
- GRIP RANGE: .080 - .140
 - HOLE SIZE: .332 +.006/-.000 AFTER ALL APPLIED FINISHES.
 - INSTALLED LENGTH: .450 REF.
 - LUBRICATION: NONE
 - INSTALLATION TOOL: SPIN-PULL
 - MAY BE PRODUCED TO 3B THREAD CLASS DEPENDING ON THE MANUFACTURING LOT NUMBER OR CUSTOMER REQUIREMENT. SPECIFIC CLASS AVAILABLE UPON REQUEST.

PROPRIETARY AND CONFIDENTIAL
THIS DRAWING, AND THE INFORMATION CONTAINED HERIN, ARE THE PROPERTY OF SHEREX AND ARE NOT TO BE USED IN ANY MANNER DETRIMENT TO THE INTEREST OF THE COMPANY.
SHEREX RESERVES THE RIGHT TO REVISE PART/DRAWING WITHOUT NOTICE.

		UNLESS OTHERWISE SPECIFIED:		NAME	DATE
		DIMENSIONS ARE IN INCHES TOLERANCES:	DRAWN	JLA	8/11/03
		ANGULAR: MACH ±1 BEND ±1 TWO PLACE DECIMAL ±.01 THREE PLACE DECIMAL ±.005	CHECKED		
		INTERPRET GEOMETRIC TOLERANCING PER: ASME Y14.5M-1994	ENG APPR.	JLA	8/11/03
		MATERIAL C1008/C1010/C1110	MFG APPR.	AJP	8/11/03
		FINISH ZINC PLATE W/CLEAR TRIVALENT CHROMATE PER SFS-01-001	Q.A.		
NEXT ASSY	USED ON		COMMENTS: E-mail: info@sherex.com www.sherex.com Phone: 866-474-3739 Fax: 716-875-0358		
APPLICATION		DO NOT SCALE DRAWING			



TITLE:
FLAT HEAD OPEN END

SIZE A	DWG. NO. CA-2520S-140	REV C
------------------	--------------------------	----------

SCALE: 3:1 WEIGHT: .0046 kg SHEET 1 OF 1