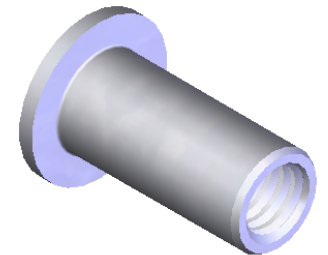
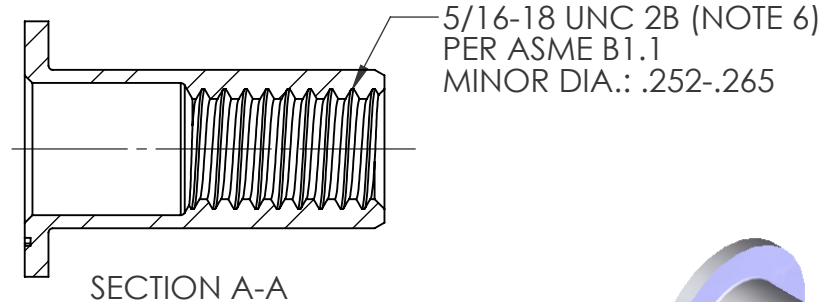
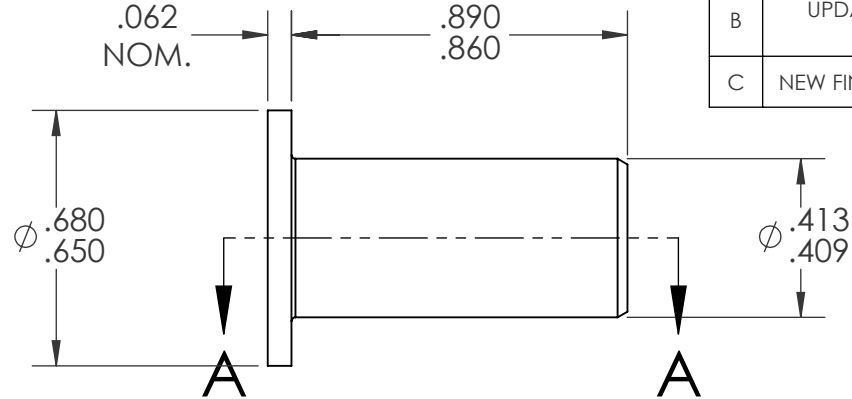
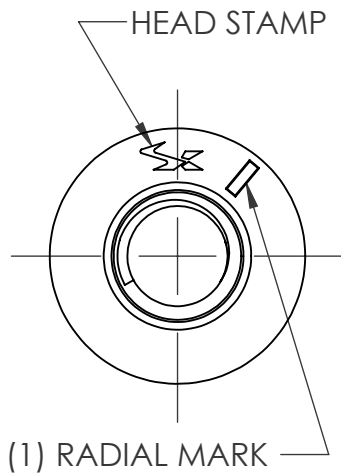


REVISIONS			
REV.	DESCRIPTION	DATE	ECN
A	INITIAL RELEASE	8/11/03	
B	UPDATE TO CURRENT FORMAT	6/2/10	1316
C	NEW FINISH PER SFS-01-001	1/23/15	1749



NOTE:

- GRIP RANGE: .125 - .200
- HOLE SIZE: $.413 +.010/-0.000$ AFTER ALL APPLIED FINISHES.
- INSTALLED LENGTH: .555 REF.
- LUBRICATION: NONE
- INSTALLATION TOOL: SPIN-PULL
- MAY BE PRODUCED TO 3B THREAD CLASS DEPENDING ON THE MANUFACTURING LOT NUMBER OR CUSTOMER REQUIREMENT. SPECIFIC CLASS AVAILABLE UPON REQUEST.

PROPRIETARY AND CONFIDENTIAL

THIS DRAWING, AND THE INFORMATION CONTAINED HEREIN, ARE THE PROPERTY OF SHEREX AND ARE NOT TO BE USED IN ANY MANNER DETRIMENTAL TO THE INTEREST OF THE COMPANY.

SHEREX RESERVES THE RIGHT TO REVISE PART/DRAWING WITHOUT NOTICE.

		UNLESS OTHERWISE SPECIFIED:		NAME	DATE
		DIMENSIONS ARE IN INCHES TOLERANCES:		DRAWN	JLA 8/11/03
		ANGULAR: MACH ± 1 BEND ± 1 TWO PLACE DECIMAL $\pm .01$ THREE PLACE DECIMAL $\pm .005$		CHECKED	
		INTERPRET GEOMETRIC TOLERANCING PER: ASME Y14.5M-1994		ENG APPR.	JLA 8/11/03
		MATERIAL C1008/C1010/C1110		MFG APPR.	AJP 8/11/03
		FINISH ZINC PLATE W/CLEAR TRIVALENT CHROMATE PER SFS-01-001		Q.A.	
NEXT ASSY	USED ON	COMMENTS:			
APPLICATION		E-mail: info@sherex.com www.sherex.com Phone: 866-474-3739 Fax: 716-875-0358			
		DO NOT SCALE DRAWING			



TITLE:

FLAT HEAD OPEN END

SIZE A	DWG. NO. CA-3118S-200	REV C
------------------	--------------------------	----------

SCALE: 2:1 WEIGHT: .0086 kg SHEET 1 OF 1