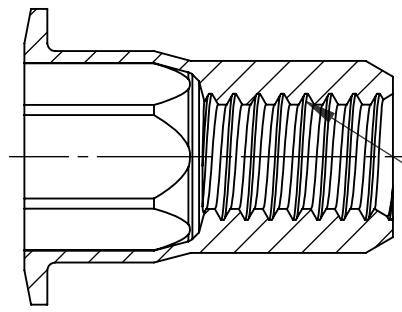
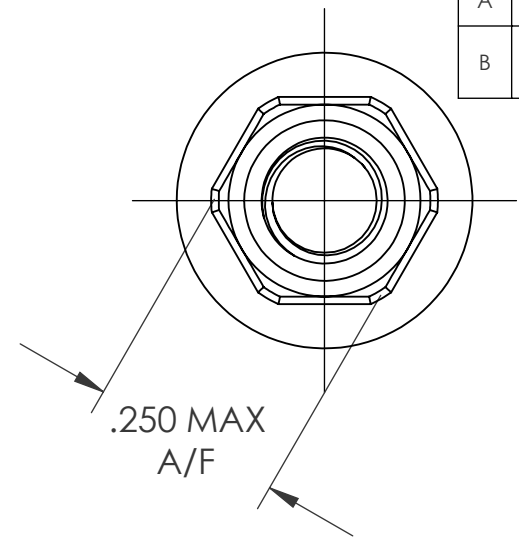
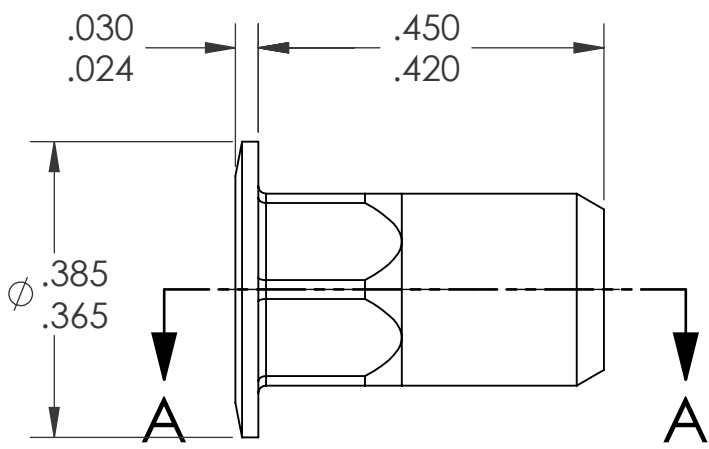


REVISIONS

REV.	DESCRIPTION	DATE	ECN
A	INITIAL RELEASE	8/11/03	
B	NEW FINISH PER SFS-01-001, SC2	1/19/15	1739



#8-32 UNC 2B
PER ASME B1.1
MINOR DIA.: .130 - .139



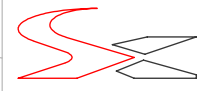
NOTE:

- GRIP RANGE: .080 - .130
- HOLE SIZE: .250 +.004/-.000 A/F AFTER ALL APPLIED FINISHES.
- INSTALLED LENGTH: .295 MAX.
- LUBRICATION: WAX
- INSTALLATION TOOL: SSG 801 SPIN SPIN

SECTION A-A

PROPRIETARY AND CONFIDENTIAL
THIS DRAWING, AND THE INFORMATION CONTAINED HEREIN, ARE THE PROPERTY OF SHEREX AND ARE NOT TO BE USED IN ANY MANNER DETRIMENTAL TO THE INTEREST OF THE COMPANY.
SHEREX SOLUTIONS RESERVES THE RIGHT TO REVISE PART/DRAWING WITHOUT NOTICE.

		UNLESS OTHERWISE SPECIFIED:	NAME	DATE
		DIMENSIONS ARE IN INCHES TOLERANCES: ANGULAR: MACH ± .1 BEND ± 1 TWO PLACE DECIMAL ± .01 THREE PLACE DECIMAL ± .002	DRAWN	JLA 8/11/03
		INTERPRET GEOMETRIC TOLERANCING PER: ASME Y14.5M-1994	CHECKED	
		MATERIAL	ENG APPR.	JLA 8/11/03
		C1008/C1010	MFG APPR.	AJP 8/11/03
		FINISH	Q.A.	
		ZINC PLATE W/YELLOW TRIVALENT CHROMATE PER SFS-01-001, SC2	COMMENTS:	
NEXT ASSY	USED ON		E-mail: info@sherex.com	
			www.sherex.com	
			Phone: 866-474-3739	
			Fax: 716-875-0358	
APPLICATION		DO NOT SCALE DRAWING		



TITLE:
LARGE FLANGE SEMI HEX

SIZE DWG. NO. REV
A CAH2-0832-130 B

SCALE: 2:1 WEIGHT: .0016 kg SHEET 1 OF 1