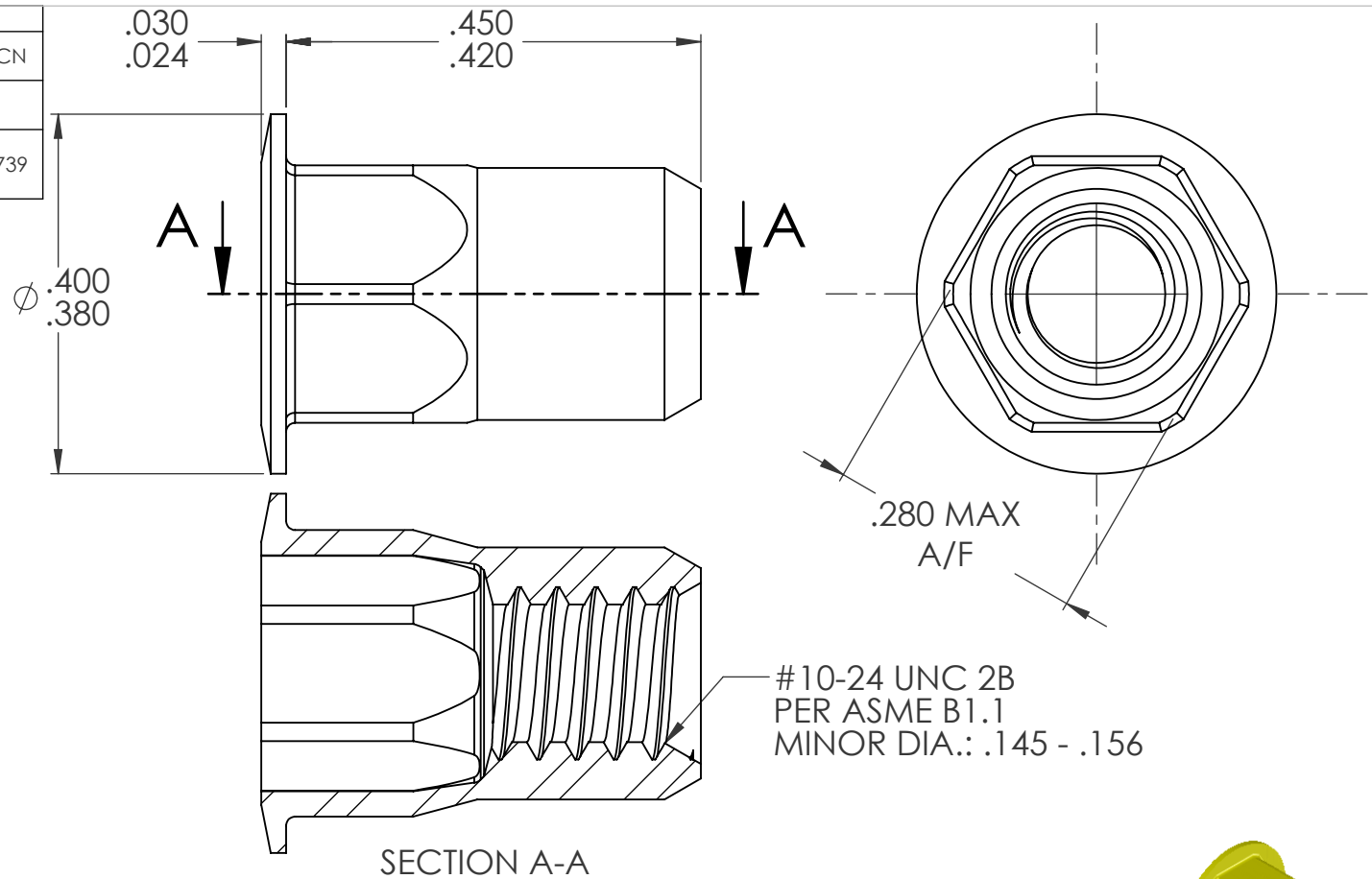
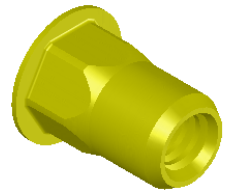



REVISIONS			
REV.	DESCRIPTION	DATE	ECN
A	INITIAL RELEASE	8/11/03	
B	NEW FINISH PER SFS-01-001, SC2	1/19/15	1739



- NOTE:
- GRIP RANGE: .020 - .130
  - HOLE SIZE: .281 +.004/-.000 A/F AFTER ALL APPLIED FINISHES.
  - INSTALLED LENGTH: .275 MAX.
  - LUBRICATION: WAX
  - INSTALLATION TOOL: SSG 802 SPIN SPIN



<p><b>PROPRIETARY AND CONFIDENTIAL</b></p> <p>THIS DRAWING, AND THE INFORMATION CONTAINED HERIN, ARE THE PROPERTY OF SHEREX AND ARE NOT TO BE USED IN ANY MANNER DETRIMENT TO THE INTEREST OF THE COMPANY.</p> <p>SHEREX RESERVES THE RIGHT TO REVISE PART/DRAWING WITHOUT NOTICE.</p>			UNLESS OTHERWISE SPECIFIED: DIMENSIONS ARE IN INCHES TOLERANCES: ANGULAR: MACH ±1 BEND ±1 TWO PLACE DECIMAL ±.01 THREE PLACE DECIMAL ±.005 INTERPRET GEOMETRIC TOLERANCING PER: ASME Y14.5M-1994		NAME	DATE	 <p>TITLE: <b>LARGE FLANGE SEMI HEX</b></p>	
			MATERIAL C1008/C1010	DRAWN	JLA	8/11/03		
			FINISH ZINC PLATE W/YELLOW TRIVALENT CHROMATE PER SFS-01-001, SC2	CHECKED				
	NEXT ASSY	USED ON		ENG APPR.	JLA	8/11/03		
	APPLICATION		DO NOT SCALE DRAWING	MFG APPR.	AJP	8/11/03		
			COMMENTS: E-mail: info@sherex.com www.sherex.com Phone: 866-474-3739 Fax: 716-875-0358	Q.A.			SIZE DWG. NO. REV <b>A</b> CAH2-1024-130 B	
							SCALE: 5:1 WEIGHT: .0017 kg SHEET 1 OF 1	