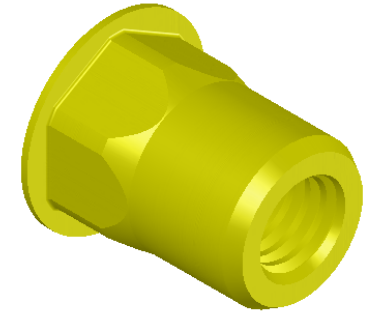
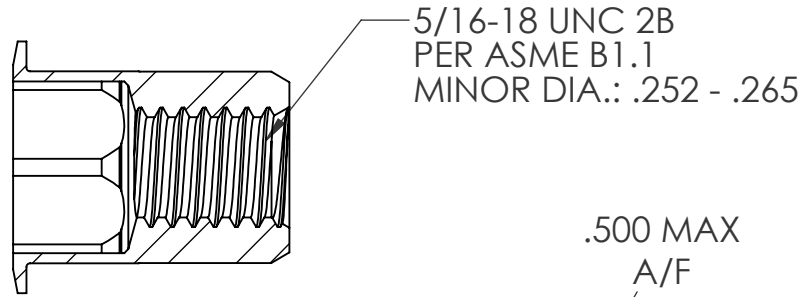
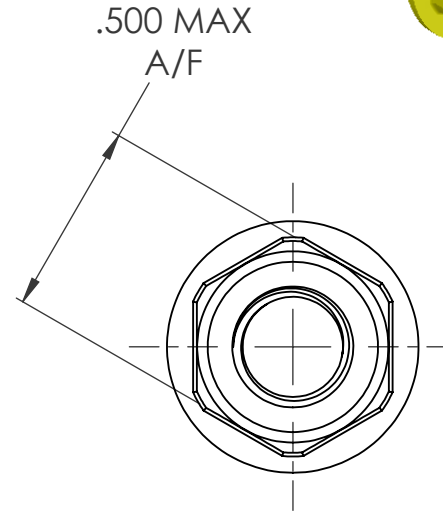
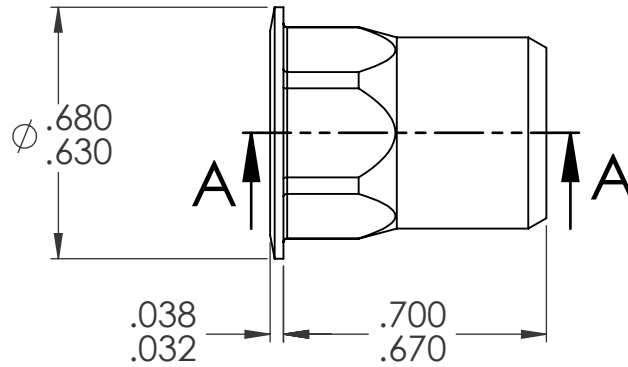


REVISIONS			
REV.	DESCRIPTION	DATE	ECN
A	INITIAL RELEASE	8/11/03	
B	NEW FINISH PER SFS-01-001, SC2	1/19/15	1739



SECTION A-A




NOTE:

- GRIP RANGE: .027 - .150
- HOLE SIZE: .500 +.004/-.000 A/F AFTER ALL APPLIED FINISHES.
- INSTALLED LENGTH: .530 MAX.
- LUBRICATION: WAX
- INSTALLATION TOOL: SSG 803 SPIN SPIN

PROPRIETARY AND CONFIDENTIAL
 THIS DRAWING, AND THE INFORMATION CONTAINED HERIN, ARE THE PROPERTY OF SHEREX AND ARE NOT TO BE USED IN ANY MANNER DETRIMENT TO THE INTEREST OF THE COMPANY.
 SHEREX RESERVES THE RIGHT TO REVISE PART/DRAWING WITHOUT NOTICE.

		UNLESS OTHERWISE SPECIFIED:			NAME	DATE
		DIMENSIONS ARE IN INCHES TOLERANCES:		DRAWN	JLA	8/11/03
		ANGULAR: MACH ±1 BEND ±1 TWO PLACE DECIMAL ±.01 THREE PLACE DECIMAL ±.005		CHECKED		
		INTERPRET GEOMETRIC TOLERANCING PER: ASME Y14.5M-1994		ENG APPR.	JLA	8/11/03
		MATERIAL C1008/C1010		MFG APPR.	AJP	8/11/03
		FINISH ZINC PLATE W/YELLOW TRIVALENT CHROMATE PER SFS-01-001, SC2		Q.A.		
NEXT ASSY	USED ON			COMMENTS: E-mail: info@sherex.com www.sherex.com Phone: 866-474-3739 Fax: 716-875-0358		
APPLICATION		DO NOT SCALE DRAWING				

 TITLE: HALF HEX LARGE FLANGE OPEN END		
A	CAH2-3118-150	B
SCALE: 2:1	WEIGHT: .0097 kg	SHEET 1 OF 1