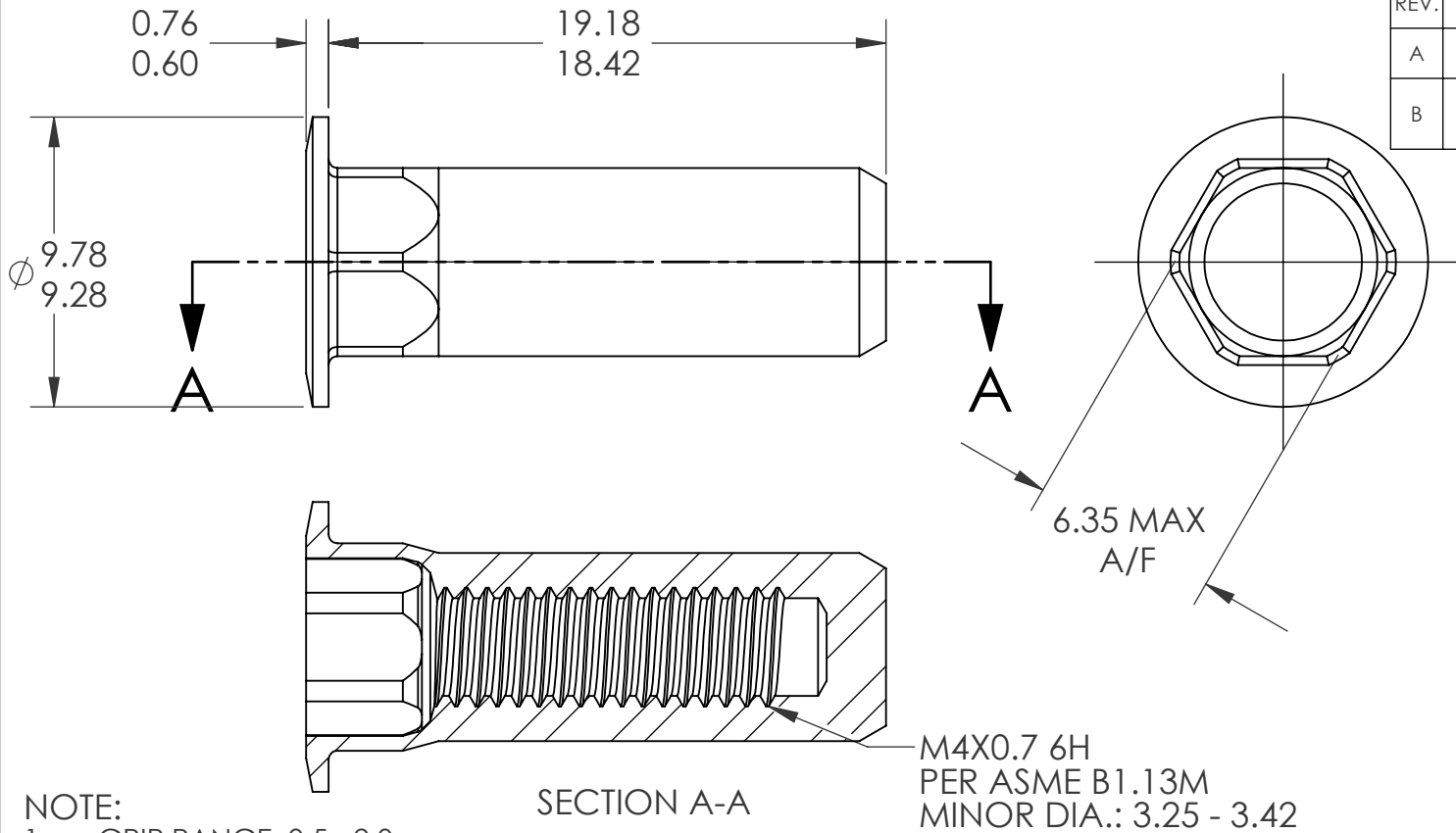


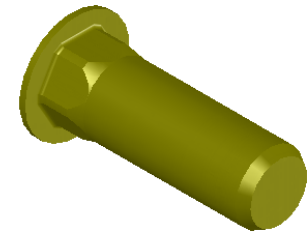
REVISIONS			
REV.	DESCRIPTION	DATE	ECN
A	INITIAL RELEASE	8/11/03	
B	NEW FINISH PER SFS-01-001, SC2	1/21/15	1745



- NOTE:
- GRIP RANGE: 0.5 - 2.0
 - HOLE SIZE: 6.35 +0.1/-0.0 A/F AFTER ALL APPLIED FINISHES.
 - INSTALLED LENGTH: 16.26 MAX.
 - INSTALLED THREAD DEPTH: 14.61 REF.
 - LUBRICATION: OIL
 - INSTALLATION TOOL: SSG 801 SPIN SPIN

SECTION A-A

M4X0.7 6H
PER ASME B1.13M
MINOR DIA.: 3.25 - 3.42



PROPRIETARY AND CONFIDENTIAL
THIS DRAWING, AND THE INFORMATION CONTAINED HEREIN, ARE THE PROPERTY OF SHEREX AND ARE NOT TO BE USED IN ANY MANNER DETRIMENTAL TO THE INTEREST OF THE COMPANY.
SHEREX SOLUTIONS RESERVES THE RIGHT TO REVISE PART/DRAWING WITHOUT NOTICE.

UNLESS OTHERWISE SPECIFIED:		NAME	DATE
DIMENSIONS ARE IN MILLIMETERS TOLERANCES: ANGULAR: MACH ±1 BEND ±1 ONE PLACE DECIMAL ±0.10 TWO PLACE DECIMAL ±0.05		DRAWN JLA	8/11/03
INTERPRET GEOMETRIC TOLERANCING PER: ASME Y14.5M-1994		CHECKED	
MATERIAL C1008/C1010		ENG APPR. JLA	8/11/03
FINISH ZINC PLATE W/YELLOW TRIVALENT CHROMATE PER SFS-01-001, SC2		MFG APPR. AJP	8/11/03
NEXT ASSY		USED ON	
APPLICATION		COMMENTS: E-mail: info@sherex.com www.sherex.com Phone: 866-474-3739 Fax: 716-875-0358	
DO NOT SCALE DRAWING		Q.A.	



TITLE:
**LARGE FLANGE SEMI HEX
CLOSED END**

SIZE DWG. NO. A CAH2-470-2.0B	REV B
---	-----------------

SCALE: 2:1 WEIGHT: .0033 kg SHEET 1 OF 1