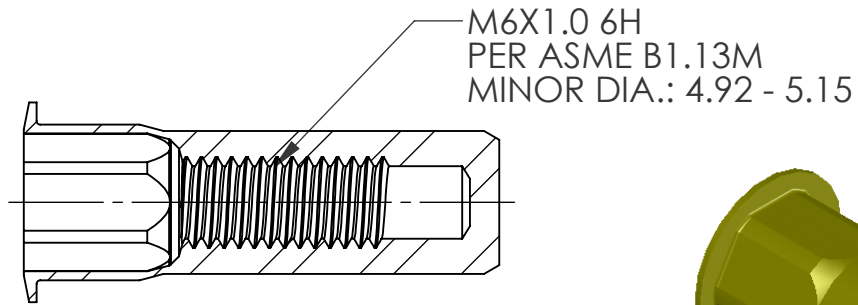
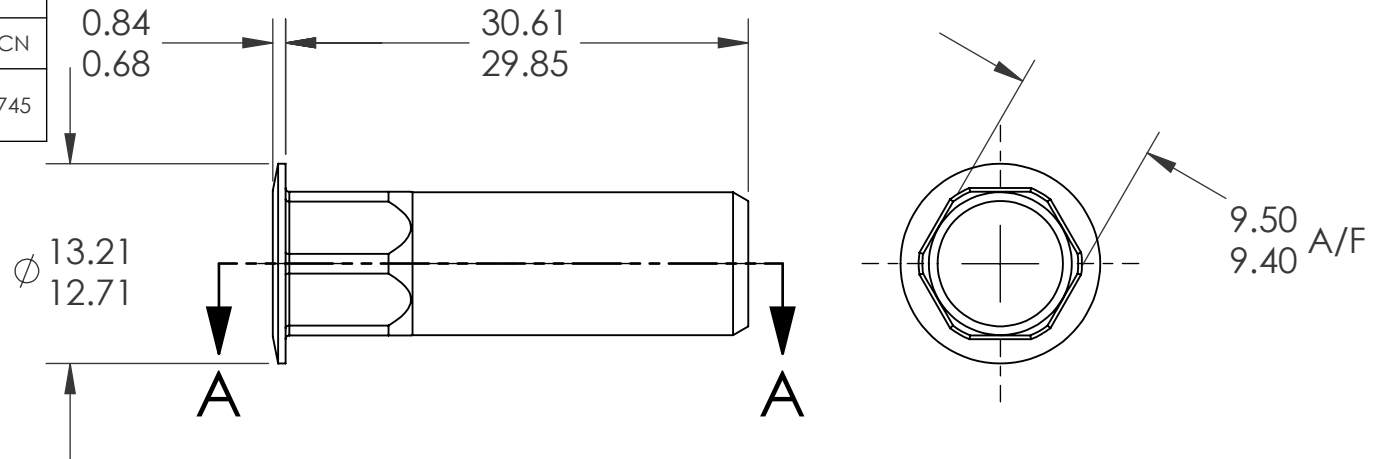
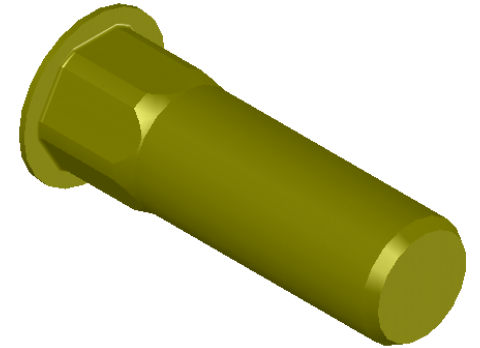


REVISIONS			
REV.	DESCRIPTION	DATE	ECN
C	NEW FINISH PER SFS-01-001, SC2	1/21/15	1745



SECTION A-A



NOTE:

- GRIP RANGE: 4.2 - 6.6
- HOLE SIZE: 9.53 +0.10/-0.0 A/F AFTER ALL APPLIED FINISHES.
- INSTALLED LENGTH: 23.24 MAX
- INSTALLED THREAD DEPTH: 27.56 REF.
- LUBRICATION: OIL
- INSTALLATION TOOL: SSG 802 SPIN SPIN

PROPRIETARY AND CONFIDENTIAL
 THIS DRAWING, AND THE INFORMATION CONTAINED HEREIN, ARE THE PROPERTY OF SHEREX AND ARE NOT TO BE USED IN ANY MANNER DETRIMENTAL TO THE INTEREST OF THE COMPANY.
 SHEREX SOLUTIONS RESERVES THE RIGHT TO REVISE PART/DRAWING WITHOUT NOTICE.

		UNLESS OTHERWISE SPECIFIED:		NAME	DATE		
		DIMENSIONS ARE IN MILLIMETERS TOLERANCES: ANGULAR: MACH ±1 BEND ±1 ONE PLACE DECIMAL ±0.10 TWO PLACE DECIMAL ±0.05		DRAWN	TOO		7/20/05
		INTERPRET GEOMETRIC TOLERANCING PER: ASME Y14.5M-1994		CHECKED			
		MATERIAL C1008/C1010		ENG APPR.	TOO		7/20/05
		FINISH ZINC PLATE W/YELLOW TRIVALENT CHROMATE PER SFS-01-001, SC2		MFG APPR.	AJP	7/20/05	
NEXT ASSY	USED ON			Q.A.			
APPLICATION		DO NOT SCALE DRAWING		COMMENTS: E-mail: info@sherex.com www.sherex.com Phone: 866-474-3739 Fax: 716-875-0358		TITLE: HALF HEX LARGE FLANGE	
				SIZE DWG. NO.	REV		
				A CAH2-610-6.6B	C		
				SCALE: 2:1	WEIGHT: .0101 kg	SHEET 1 OF 1	