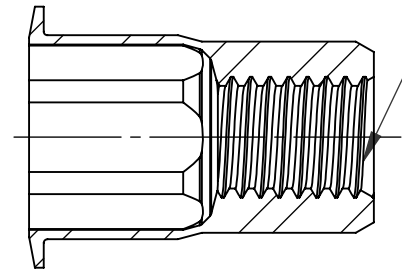
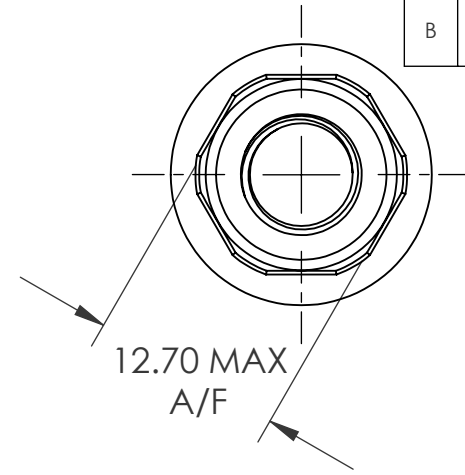
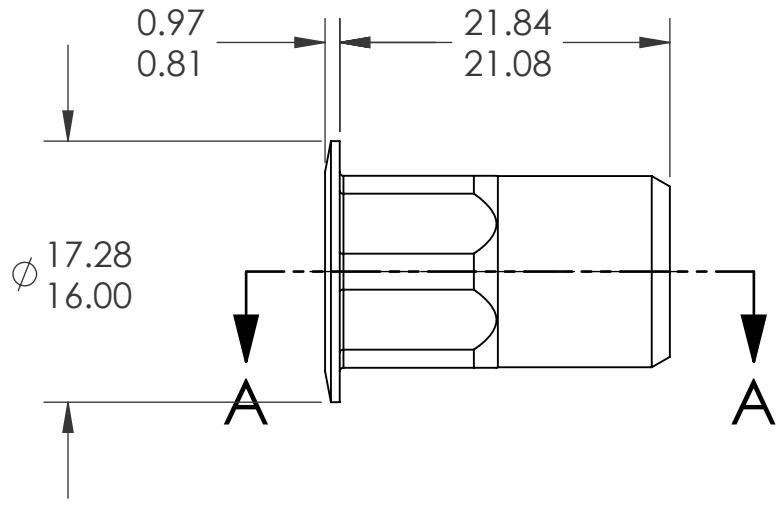
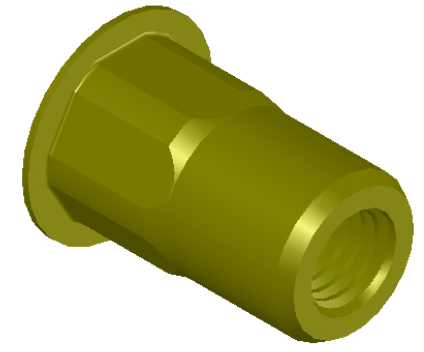


REVISIONS			
REV.	DESCRIPTION	DATE	ECN
A	INITIAL RELEASE	4/29/05	
B	NEW FINISH PER SFS-01-001, SC2	1/21/15	1745



M8X1.25 6H
PER ASME B1.13M
MINOR DIA.: 6.65 - 6.91

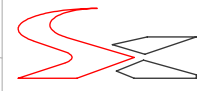


- NOTE:**
- GRIP RANGE: 3.8 - 7.9
 - HOLE SIZE: 12.70 +0.1/-0.0 A/F AFTER ALL APPLIED FINISHES.
 - INSTALLED LENGTH: 13.08 MAX.
 - LUBRICATION: WAX
 - INSTALLATION TOOL: SSG-803 SPIN SPIN

SECTION A-A

PROPRIETARY AND CONFIDENTIAL
THIS DRAWING, AND THE INFORMATION CONTAINED HEREIN, ARE THE PROPERTY OF SHEREX AND ARE NOT TO BE USED IN ANY MANNER DETRIMENTAL TO THE INTEREST OF THE COMPANY.
SHEREX SOLUTIONS RESERVES THE RIGHT TO REVISE PART/DRAWING WITHOUT NOTICE.

		UNLESS OTHERWISE SPECIFIED:	NAME	DATE
		DIMENSIONS ARE IN MILLIMETERS TOLERANCES: ANGULAR: MACH ± 1 BEND ± 1 ONE PLACE DECIMAL ± 0.10 TWO PLACE DECIMAL ± 0.05	DRAWN	TOO 4/29/05
		INTERPRET GEOMETRIC TOLERANCING PER: ASME Y14.5M-1994	CHECKED	
		MATERIAL	ENG APPR.	TOO 4/29/05
		C1008/C1010	MFG APPR.	AJP 4/29/05
		FINISH	Q.A.	
		ZINC PLATE W/YELLOW TRIVALENT CHROMATE PER SFS-01-001, SC2	COMMENTS:	
NEXT ASSY	USED ON		E-mail: info@sherex.com	
			www.sherex.com	
			Phone: 866-474-3739	
			Fax: 716-875-0358	
APPLICATION	DO NOT SCALE DRAWING			



TITLE:
LARGE FLANGE SEMI HEX OPEN END

SIZE DWG. NO.	REV
A CAH2-8125-7.9	B

SCALE: 2:1 WEIGHT: .0100 kg. SHEET 1 OF 1