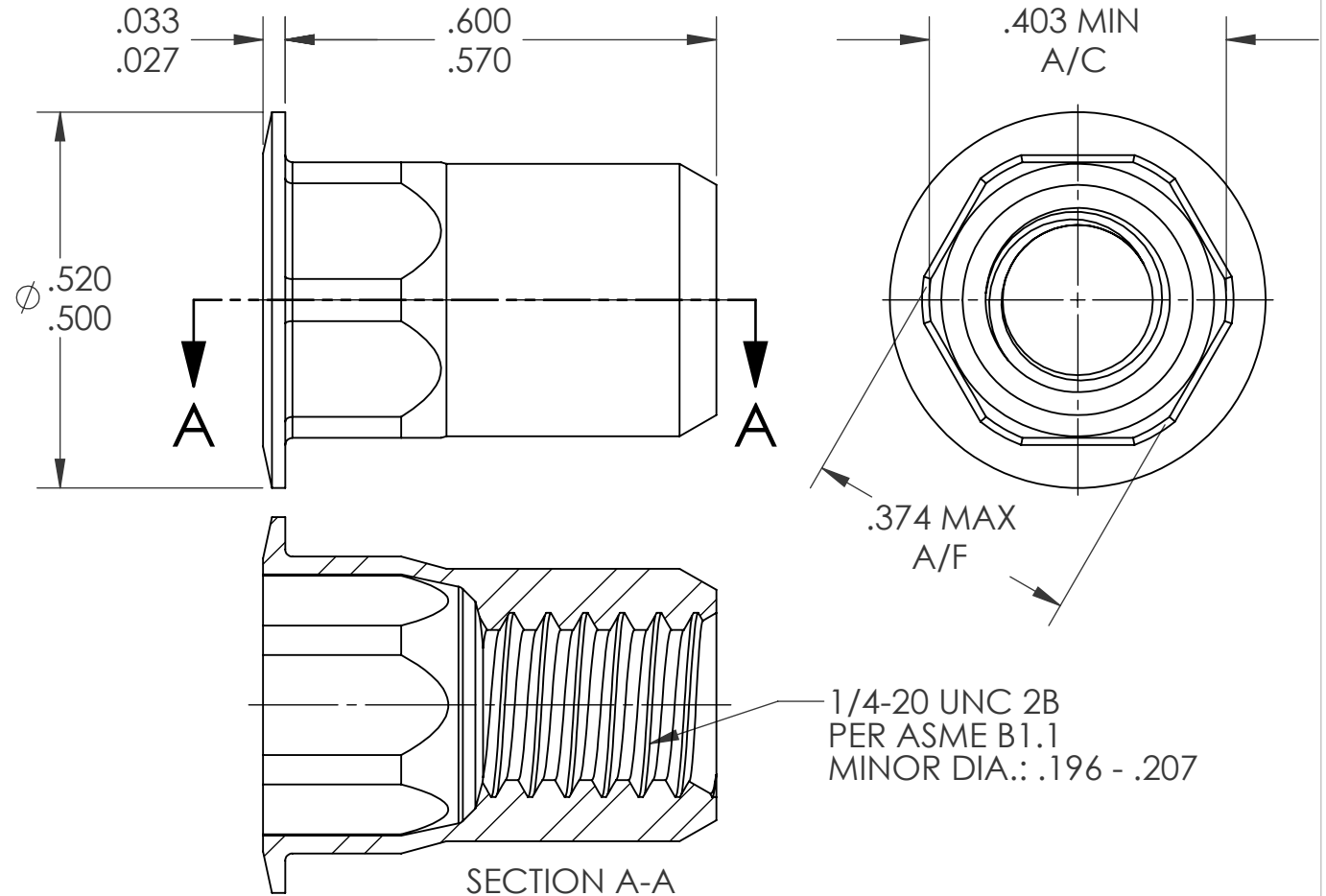


REVISIONS			
REV.	DESCRIPTION	DATE	ECN
A	INITIAL RELEASE	4/30/09	1174



NOTE:

1. GRIP RANGE: .027 - .165
2. HOLE SIZE: .375 +.004/-.00 A/F AFTER ALL APPLIED FINISHES.
3. INSTALLED LENGTH: .400 MAX.
4. LUBRICATION: WAX
5. INSTALLATION TOOL: SSG 802 SPIN SPIN

**PROPRIETARY AND CONFIDENTIAL**

THIS DRAWING, AND THE INFORMATION CONTAINED HEREIN, ARE THE PROPERTY OF SHEREX AND ARE NOT TO BE USED IN ANY MANNER DETRIMENTAL TO THE INTEREST OF THE COMPANY.  
SHEREX SOLUTIONS RESERVES THE RIGHT TO REVISE PART/DRAWING WITHOUT NOTICE.

		UNLESS OTHERWISE SPECIFIED:	NAME	DATE		
		DIMENSIONS ARE IN INCHES TOLERANCES: ANGULAR: MACH ±1 BEND ±1 TWO PLACE DECIMAL ±.01 THREE PLACE DECIMAL ±.002	DRAWN	TWR		4/30/09
		INTERPRET GEOMETRIC TOLERANCING PER: ASME Y14.5M-1994	CHECKED			
		MATERIAL	ENG APPR.	JVK		4/30/09
		5056 ALUMINUM	MFG APPR.			
		FINISH	Q.A.	JVK	4/30/09	
NEXT ASSY	USED ON	NONE	COMMENTS:		<b>TITLE:</b> LARGE FLANGE SEMI HEX OPEN END	
APPLICATION		DO NOT SCALE DRAWING	E-mail: info@sherex.com www.sherex.com Phone: 866-474-3739 Fax: 716-875-0358			
			SIZE DWG. NO.	REV		
			<b>A</b> CAH3-2520-165	A		
			SCALE: 2:1	WEIGHT: kg	SHEET 1 OF 1	