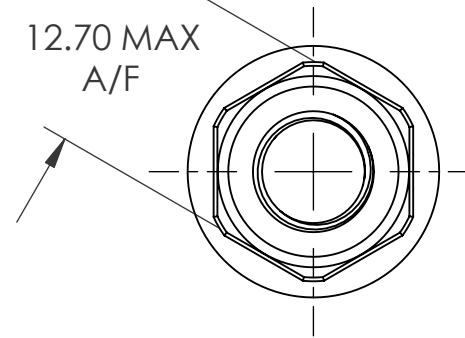
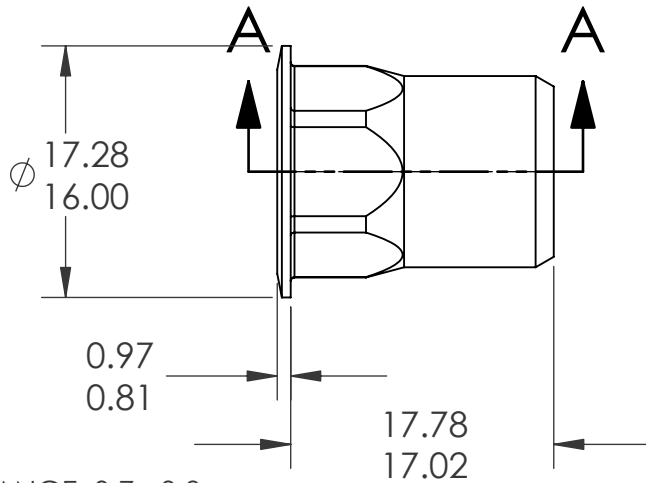
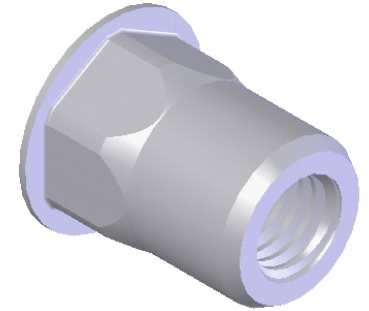


M8X1.25 6H
PER ASME B1.13M
MINOR DIA.: 6.65 - 6.91

SECTION A-A



- NOTE:
- GRIP RANGE: 0.7 - 3.8
 - HOLE SIZE: 12.70 +0.1/-0.0 AFTER ALL APPLIED FINISHES.
 - INSTALLED LENGTH: 13.46 MAX.
 - LUBRICATION: WAX
 - INSTALLATION TOOL: SSG 803 SPIN SPIN

PROPRIETARY AND CONFIDENTIAL
THIS DRAWING, AND THE INFORMATION CONTAINED HEREIN, ARE THE PROPERTY OF SHEREX AND ARE NOT TO BE USED IN ANY MANNER DETRIMENTAL TO THE INTEREST OF THE COMPANY.
SHEREX SOLUTIONS RESERVES THE RIGHT TO REVISE PART/DRAWING WITHOUT NOTICE.

		UNLESS OTHERWISE SPECIFIED:	NAME	DATE
		DIMENSIONS ARE IN MILLIMETERS TOLERANCES: ANGULAR: MACH ± 1 BEND ± 1 ONE PLACE DECIMAL ± 0.10 TWO PLACE DECIMAL ± 0.05	DRAWN	TOO 1/4/06
		INTERPRET GEOMETRIC TOLERANCING PER: ASME Y14.5M-1994	CHECKED	
		MATERIAL	ENG APPR.	TOO 1/4/06
		A5056	MFG APPR.	AJP 1/4/06
		FINISH	Q.A.	
		NONE	COMMENTS:	
			E-mail: info@sherex.com www.sherex.com Phone: 866-474-3739 Fax: 716-875-0358	
NEXT ASSY	USED ON			
APPLICATION		DO NOT SCALE DRAWING		

TITLE:		
LARGE FLANGE SEMI HEX OPEN END		
SIZE	DWG. NO.	REV
A	CAH3-8125-3.8	A
SCALE: 2:1	WEIGHT: .0033 kg	SHEET 1 OF 1