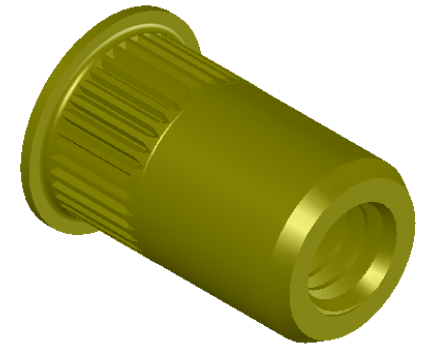
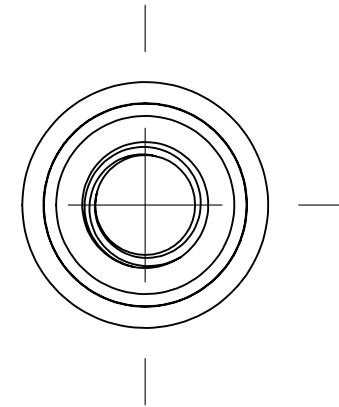
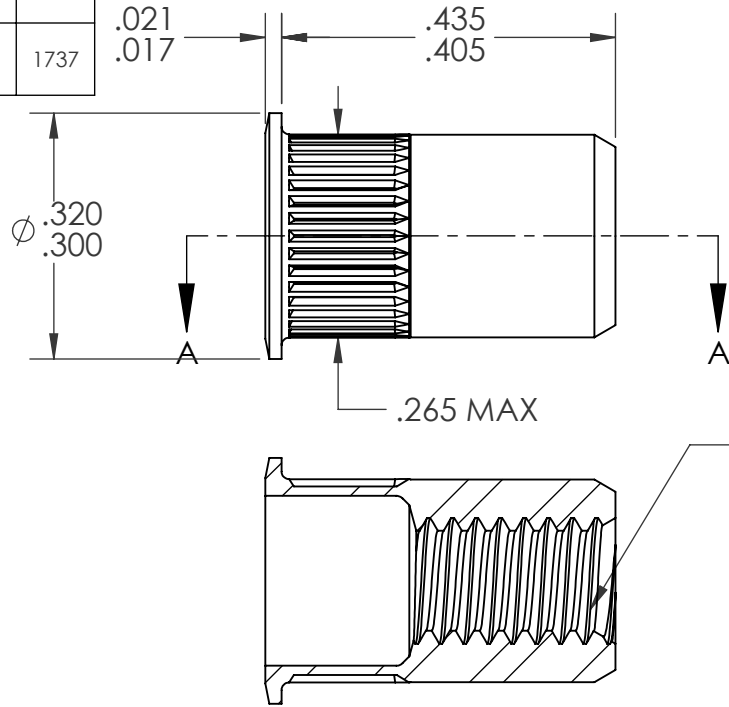


REVISIONS			
REV.	DESCRIPTION	DATE	ECN
A	INITIAL RELEASE	5/23/05	
B	NEW FINISH PER SFS-01-001, SC2	1/16/15	1737



SECTION A-A
SCALE 4 : 1

NOTE:

- GRIP RANGE: .020 - .080
- HOLE SIZE: .266 +.006/-0.000 AFTER ALL APPLIED FINISHES.
- INSTALLED LENGTH: .305 MAX.
- LUBRICATION: WAX
- INSTALLATION TOOL: SSG 801 SPIN SPIN

PROPRIETARY AND CONFIDENTIAL

THIS DRAWING, AND THE INFORMATION CONTAINED HEREIN, ARE THE PROPERTY OF SHEREX AND ARE NOT TO BE USED IN ANY MANNER DETRIMENTAL TO THE INTEREST OF THE COMPANY.
SHEREX SOLUTIONS RESERVES THE RIGHT TO REVISE PART/DRAWING WITHOUT NOTICE.

		UNLESS OTHERWISE SPECIFIED:		NAME	DATE
		DIMENSIONS ARE IN INCHES TOLERANCES: ANGULAR: MACH ± 1 BEND ± 1 TWO PLACE DECIMAL ± .01 THREE PLACE DECIMAL ± .005		DRAWN	TOO 5/23/05
		INTERPRET GEOMETRIC TOLERANCING PER: ASME Y14.5M-1994		CHECKED	
		MATERIAL C1008/C1010		ENG APPR.	TOO 5/23/05
		FINISH ZINC PLATE W/YELLOW TRIVALENT CHROMATE PER SFS-01-001, SC2		MFG APPR.	AJP 5/23/05
NEXT ASSY	USED ON			Q.A.	
APPLICATION		DO NOT SCALE DRAWING		COMMENTS: E-mail: info@sherex.com www.sherex.com Phone: 866-474-3739 Fax: 716-875-0358	



TITLE:

SMALL FLANGE OPEN END

SIZE	DWG. NO.	REV
A	CAK2-0832-080	B

SCALE: 2:1 WEIGHT: .0017 kg SHEET 1 OF 1