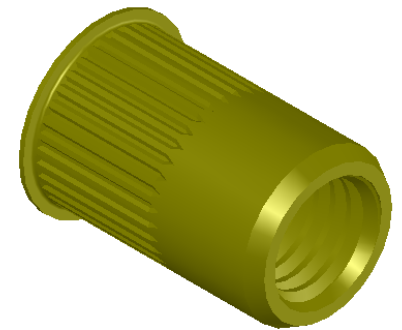
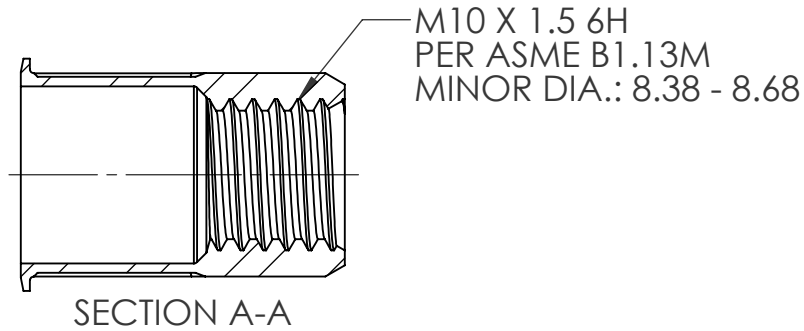
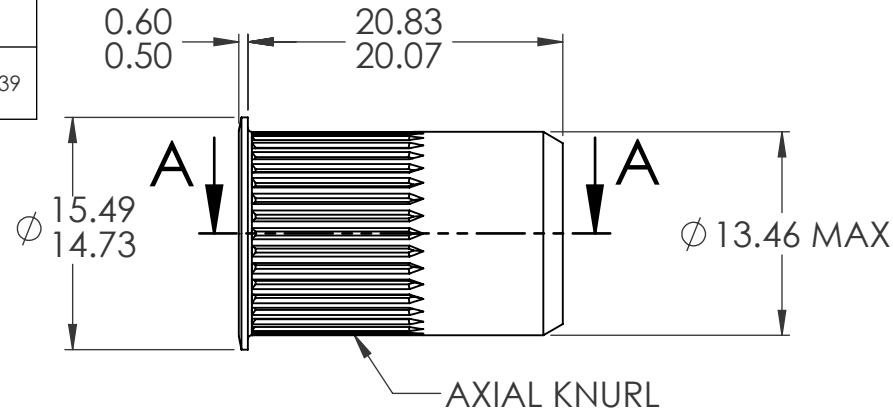



REVISIONS			
REV.	DESCRIPTION	DATE	ECN
A	INITIAL RELEASE	7/20/05	
B	NEW FINISH PER SFS-01-001, SC2	1/19/15	1739



- NOTE:
- GRIP RANGE: 3.8 - 7.9
  - HOLE SIZE: 13.50 +0.15/-0.0 AFTER ALL APPLIED FINISHES.
  - INSTALLED LENGTH: 10.80 MAX.
  - LUBRICATION: WAX
  - INSTALLATION TOOL: SSG 803 SPIN SPIN

**PROPRIETARY AND CONFIDENTIAL**  
 THIS DRAWING, AND THE INFORMATION CONTAINED HERIN, ARE THE PROPERTY OF SHEREX AND ARE NOT TO BE USED IN ANY MANNER DETRIMENT TO THE INTEREST OF THE COMPANY.  
 SHEREX RESERVES THE RIGHT TO REVISE PART/DRAWING WITHOUT NOTICE.

		UNLESS OTHERWISE SPECIFIED: DIMENSIONS ARE IN MILLIMETERS TOLERANCES:			NAME	DATE
		ANGULAR: MACH ±1 BEND ±1 TWO PLACE DECIMAL ±.10 THREE PLACE DECIMAL ±.05		DRAWN	TOO	7/20/05
		INTERPRET GEOMETRIC TOLERANCING PER: ASME Y14.5M-1994		CHECKED		
		MATERIAL C1008/C1010		ENG APPR.	TOO	7/20/05
		FINISH ZINC PLATE W/YELLOW TRIVALENT CHROMATE PER SFS-01-001, SC2		MFG APPR.	AJP	7/20/05
NEXT ASSY	USED ON			Q.A.		
APPLICATION		DO NOT SCALE DRAWING		COMMENTS: E-mail: info@sherex.com www.sherex.com Phone: 866-474-3739 Fax: 716-875-0358		

 TITLE: <b>SMALL FLANGE OPEN END</b>			
			SIZE <b>A</b>
SCALE: 2:1	WEIGHT: .0085 kg	SHEET 1 OF 1	