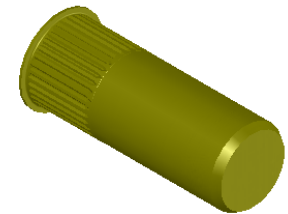
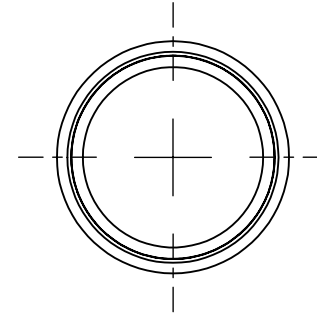
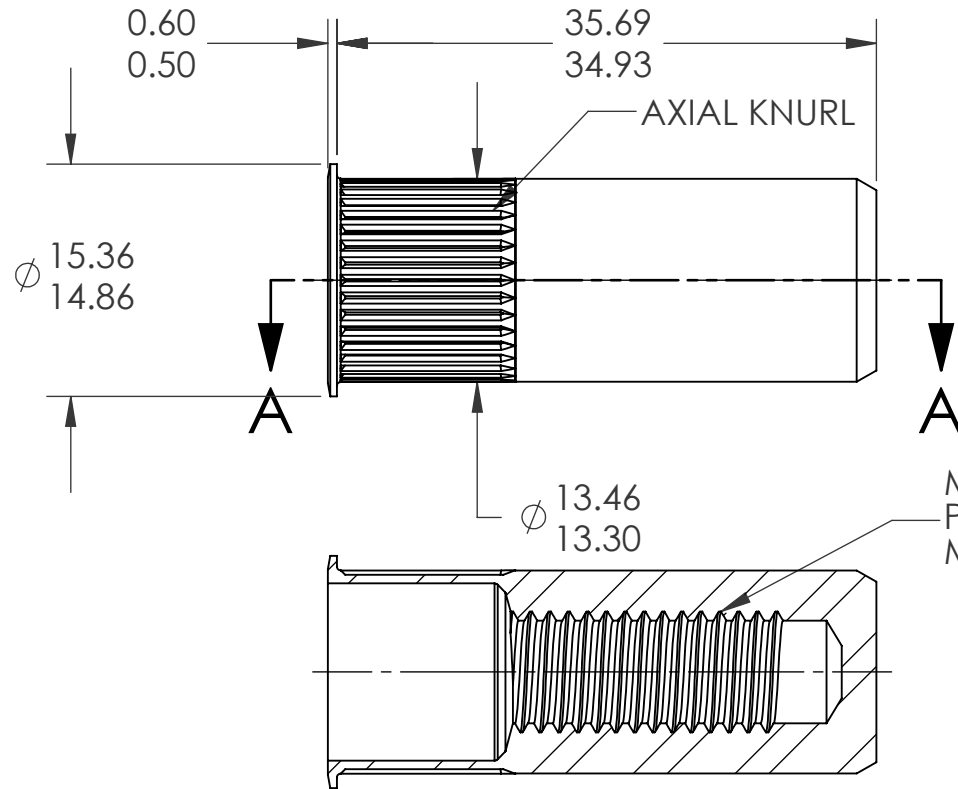


REVISIONS			
REV.	DESCRIPTION	DATE	ECN
C	NEW FINISH PER SFS-01-001, SC2	1/19/15	1739




**NOTE:**

- GRIP RANGE: 3.8 - 7.9
- HOLE SIZE: 13.50 +0.15/-0.0 AFTER ALL APPLIED FINISHES.
- INSTALLED LENGTH: 26.04 MAX.
- INSTALLED THREAD DEPTH: 28.45 REF.
- LUBRICATION: OIL
- INSTALLATION TOOL: SSG 803 SPIN SPIN

**SECTION A-A**

**PROPRIETARY AND CONFIDENTIAL**  
 THIS DRAWING, AND THE INFORMATION CONTAINED HEREIN, ARE THE PROPERTY OF SHEREX AND ARE NOT TO BE USED IN ANY MANNER DETRIMENTAL TO THE INTEREST OF THE COMPANY.  
 SHEREX SOLUTIONS RESERVES THE RIGHT TO REVISE PART/DRAWING WITHOUT NOTICE.

		UNLESS OTHERWISE SPECIFIED:		NAME	DATE
		DIMENSIONS ARE IN MILLIMETERS TOLERANCES: ANGULAR: MACH ± 1 BEND ± 1 ONE PLACE DECIMAL ± 0.10 TWO PLACE DECIMAL ± 0.05	DRAWN	TOO	7/20/05
		INTERPRET GEOMETRIC TOLERANCING PER: ASME Y14.5M-1994	CHECKED		
		MATERIAL	ENG APPR.	TOO	7/20/05
		C1008/C1010	MFG APPR.	AJP	7/20/05
		FINISH	Q.A.		
		ZINC PLATE W/YELLOW TRIVALENT CHROMATE PER SFS-01-001, SC2	COMMENTS:		
NEXT ASSY	USED ON		E-mail: info@sherex.com www.sherex.com Phone: 866-474-3739 Fax: 716-875-0358		
APPLICATION		DO NOT SCALE DRAWING			

		
<b>TITLE:</b> SMALL FLANGE CLOSED END		
SIZE DWG. NO.		REV
<b>A</b>	CAK2-8125-7.9B	C
SCALE: 2:1	WEIGHT: .0232 kg	SHEET 1 OF 1