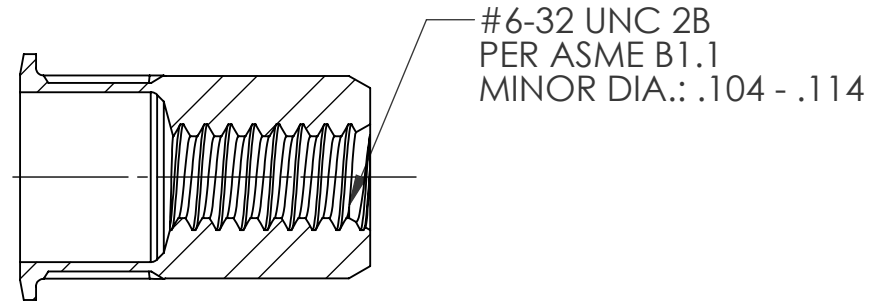
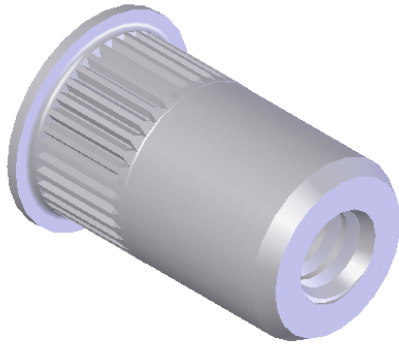
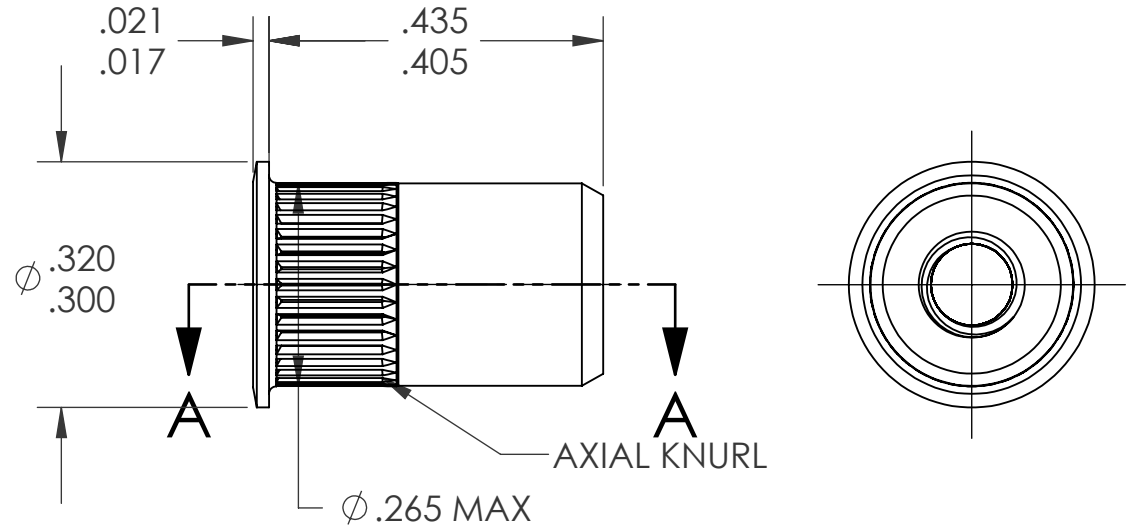


| REVISIONS | | | |
|-----------|-----------------|---------|------|
| REV. | DESCRIPTION | DATE | ECN |
| A | INITIAL RELEASE | 4/22/09 | 1172 |




SECTION A-A

NOTE:

1. GRIP RANGE: .020 - .080
2. HOLE SIZE: .266 +.006/-.000 AFTER ALL APPLIED FINISHES.
3. INSTALLED LENGTH: .305 MAX.
4. LUBRICATION: WAX
5. INSTALLATION TOOL: SSG 801 SPIN SPIN

PROPRIETARY AND CONFIDENTIAL
 THIS DRAWING, AND THE INFORMATION CONTAINED HEREIN, ARE THE PROPERTY OF SHEREX AND ARE NOT TO BE USED IN ANY MANNER DETRIMENTAL TO THE INTEREST OF THE COMPANY.
 SHEREX SOLUTIONS RESERVES THE RIGHT TO REVISE PART/DRAWING WITHOUT NOTICE.

| | | | | | | | | |
|-------------|---------|--|--|---|-------------|---|------------|--------------|
| | | UNLESS OTHERWISE SPECIFIED: | | NAME | DATE |  | | |
| | | DIMENSIONS ARE IN INCHES TOLERANCES: ANGULAR: MACH ±1 BEND ±1 TWO PLACE DECIMAL ±.01 THREE PLACE DECIMAL ±.002 | | DRAWN | TWR 4/22/09 | | | |
| | | INTERPRET GEOMETRIC TOLERANCING PER: ASME Y14.5M-1994 | | CHECKED | | | | |
| | | MATERIAL | | ENG APPR. | JVK 4/22/09 | | | |
| | | 5056 ALUMINUM | | MFG APPR. | | TITLE: SMALL FLANGE OPEN END | | |
| | | FINISH | | Q.A. | JVK 4/22/09 | | | |
| NEXT ASSY | USED ON | NONE | | COMMENTS: | | SIZE DWG. NO. | REV | |
| APPLICATION | | DO NOT SCALE DRAWING | | E-mail: info@sherex.com www.sherex.com Phone: 866-474-3739 Fax: 716-875-0358 | | A CAK3-0632-080 | A | |
| | | | | | | SCALE: 2:1 | WEIGHT: kg | SHEET 1 OF 1 |