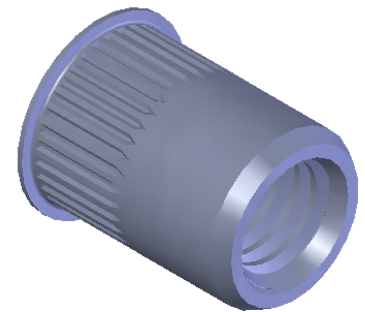


3/8-16 UNC 2B
PER ASME B1.1
MINOR DIA.: .307 - .321




SECTION A-A

NOTE:

1. GRIP RANGE: .027 - .150
2. HOLE SIZE: .531 +.006/-.000 AFTER ALL APPLIED FINISHES.
3. INSTALLED LENGTH: .470 MAX.
4. LUBRICATION: WAX
5. INSTALLATION TOOL: SSG 803 SPIN SPIN

PROPRIETARY AND CONFIDENTIAL
THIS DRAWING, AND THE INFORMATION CONTAINED HEREIN, ARE THE PROPERTY OF SHEREX AND ARE NOT TO BE USED IN ANY MANNER DETRIMENTAL TO THE INTEREST OF THE COMPANY.
SHEREX SOLUTIONS RESERVES THE RIGHT TO REVISE PART/DRAWING WITHOUT NOTICE.

		UNLESS OTHERWISE SPECIFIED:	NAME	DATE
		DIMENSIONS ARE IN INCHES TOLERANCES: ANGULAR: MACH ± 1 BEND ± 1 TWO PLACE DECIMAL ± .01 THREE PLACE DECIMAL ± .002	DRAWN TOO	11/9/06
		INTERPRET GEOMETRIC TOLERANCING PER: ASME Y14.5M-1994	CHECKED	
		MATERIAL ALUMINUM 5056	ENG APPR. TOO	11/9/06
		FINISH NONE	MFG APPR. AJP	11/9/06
NEXT ASSY	USED ON		Q.A.	
APPLICATION		DO NOT SCALE DRAWING	COMMENTS: E-mail: info@sherex.com www.sherex.com Phone: 866-474-3739 Fax: 716-875-0358	

 TITLE: SMALL FLANGE OPEN END		
SCALE: 2:1	WEIGHT: kg	SHEET 1 OF 1