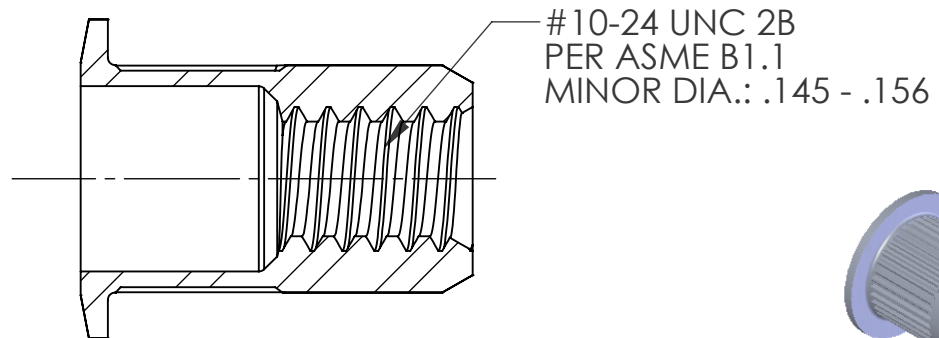
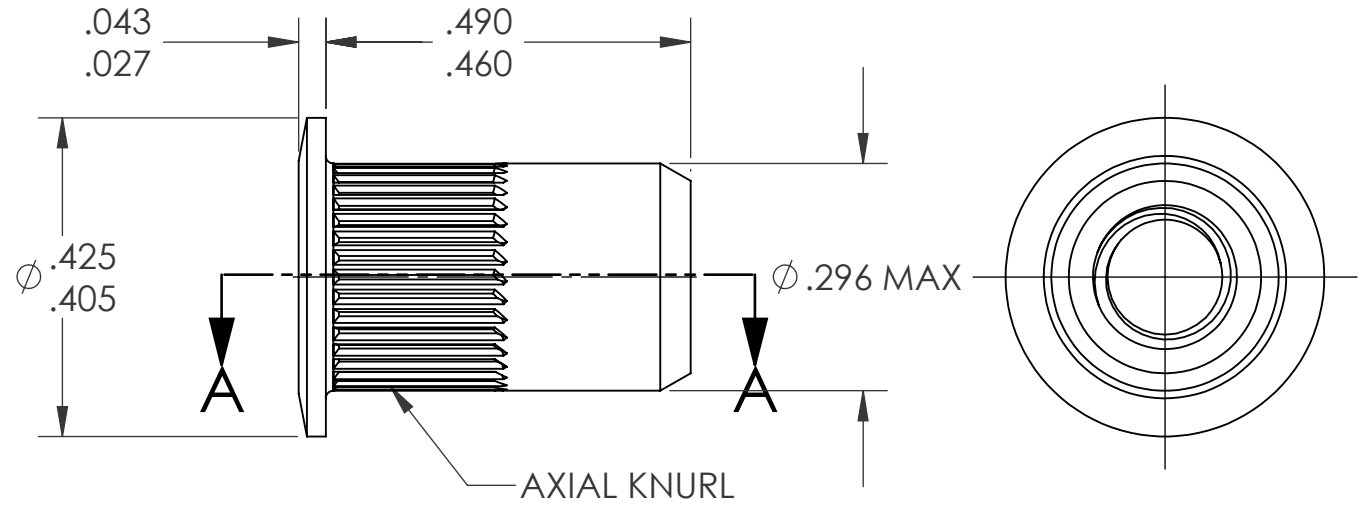


| REVISIONS | | | |
|-----------|-----------------|---------|------|
| REV. | DESCRIPTION | DATE | ECN |
| A | INITIAL RELEASE | 4/21/09 | 1167 |



- NOTE:
- GRIP RANGE: .020 - .130
 - HOLE SIZE: .297 +.006/.000 AFTER ALL APPLIED FINISHES.
 - INSTALLED LENGTH: .315 MAX.
 - LUBRICATION: NONE
 - INSTALLATION TOOL: MS 50 SPIN PULL

SECTION A-A

| | | | | | | |
|-------------|---------|---|--|---|------------------|---|
| | | UNLESS OTHERWISE SPECIFIED: | | NAME | DATE |  |
| | | DIMENSIONS ARE IN INCHES TOLERANCES: ANGULAR: MACH ±1 BEND ±1 TWO PLACE DECIMAL ±.01 THREE PLACE DECIMAL ±.002 | | DRAWN | TWR | |
| | | INTERPRET GEOMETRIC TOLERANCING PER: ASME Y14.5M-1994 | | CHECKED | | |
| | | MATERIAL | | ENG APPR. | JVK | 4/21/09 |
| | | 302/303 STAINLESS | | MFG APPR. | | |
| | | FINISH | | Q.A. | JVK | 4/21/09 |
| | | PASSIVATE | | COMMENTS: | | TITLE: LARGE FLANGE OPEN END |
| NEXT ASSY | USED ON | | | E-mail: info@sherex.com www.sherex.com Phone: 866-474-3739 Fax: 716-875-0358 | | |
| APPLICATION | | DO NOT SCALE DRAWING | | SIZE | DWG. NO. | REV |
| | | | | A | CAL1-1024-130 | A |
| | | | | SCALE: 2:1 | WEIGHT: .0024 kg | SHEET 1 OF 1 |

PROPRIETARY AND CONFIDENTIAL
 THIS DRAWING, AND THE INFORMATION CONTAINED HEREIN, ARE THE PROPERTY OF SHEREX AND ARE NOT TO BE USED IN ANY MANNER DETRIMENTAL TO THE INTEREST OF THE COMPANY.
 SHEREX SOLUTIONS RESERVES THE RIGHT TO REVISE PART/DRAWING WITHOUT NOTICE.