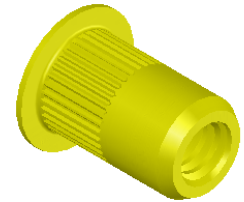
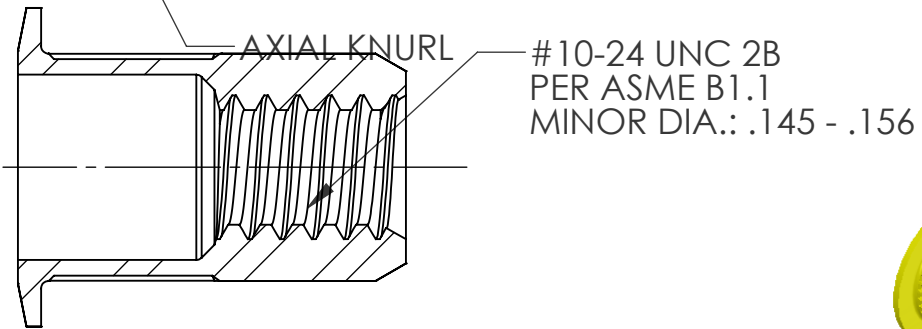
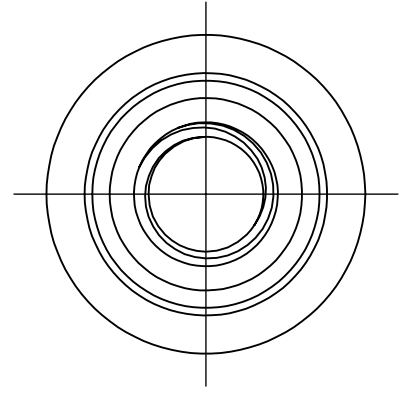
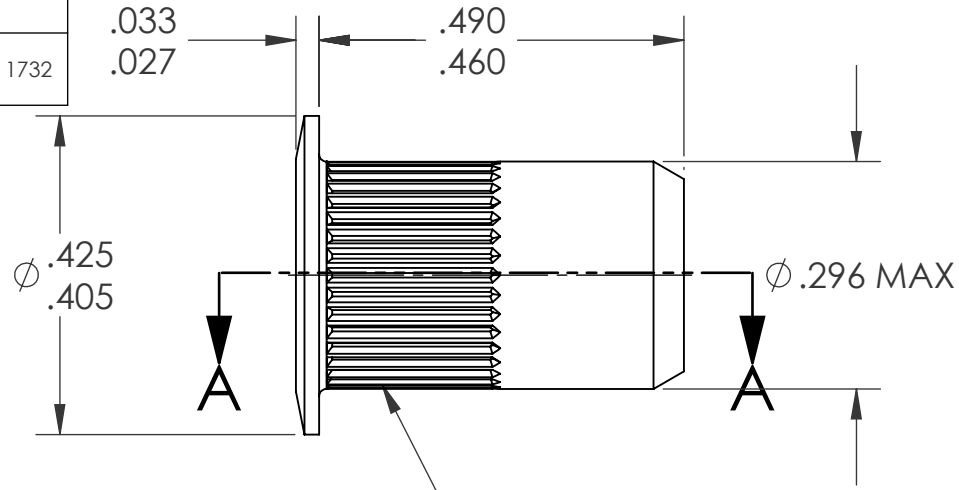


| REVISIONS |                                |         |      |
|-----------|--------------------------------|---------|------|
| REV.      | DESCRIPTION                    | DATE    | ECN  |
| A         | INITIAL RELEASE                | 11/1/06 |      |
| B         | NEW FINISH PER SFS-01-001, SC2 | 1/12/15 | 1732 |




**NOTE:**

- GRIP RANGE: .020 - .130
- HOLE SIZE: .297 +.006/.000 AFTER ALL APPLIED FINISHES.
- INSTALLED LENGTH: .315 MAX.
- LUBRICATION: WAX
- INSTALLATION TOOL: SSG 802 SPIN SPIN

**SECTION A-A**

**PROPRIETARY AND CONFIDENTIAL**  
 THIS DRAWING, AND THE INFORMATION CONTAINED HEREIN, ARE THE PROPERTY OF SHEREX AND ARE NOT TO BE USED IN ANY MANNER DETRIMENTAL TO THE INTEREST OF THE COMPANY.  
 SHEREX SOLUTIONS RESERVES THE RIGHT TO REVISE PART/DRAWING WITHOUT NOTICE.

|           |         |  |                         |             |
|-----------|---------|--|-------------------------|-------------|
|           |         | UNLESS OTHERWISE SPECIFIED:  | NAME                    | DATE        |
|           |         | DIMENSIONS ARE IN INCHES<br>TOLERANCES:<br>ANGULAR: MACH ± 1 BEND ± 1<br>TWO PLACE DECIMAL ± .01<br>THREE PLACE DECIMAL ± .002 | DRAWN                   | TOO 11/1/06 |
|           |         | INTERPRET GEOMETRIC TOLERANCING PER: ASME Y14.5M-1994  | CHECKED                 |             |
|           |         | MATERIAL   | ENG APPR.               | TOO 11/1/06 |
|           |         | C1008/C1010  | MFG APPR.               | AJP 11/1/06 |
|           |         | FINISH   | Q.A.                    |             |
|           |         | ZINC PLATE W/YELLOW TRIVALENT CHROMATE PER SFS-01-001, SC2   | COMMENTS:               |             |
| NEXT ASSY | USED ON |  | E-mail: info@sherex.com |             |
|           |         |  | www.sherex.com          |             |
|           |         |  | Phone: 866-474-3739     |             |
|           |         |  | Fax: 716-875-0358       |             |
|           |         | DO NOT SCALE DRAWING   |                         |             |

|   |                  |              |
|---|------------------|--------------|
|  |                  |              |
| TITLE:  |                  |              |
| LARGE FLANGE OPEN END   |                  |              |
| SIZE DWG. NO.   |                  | REV          |
| <b>A</b>  | CAL2-1024-130    | <b>B</b>     |
| SCALE: 2:1  | WEIGHT: .0024 kg | SHEET 1 OF 1 |