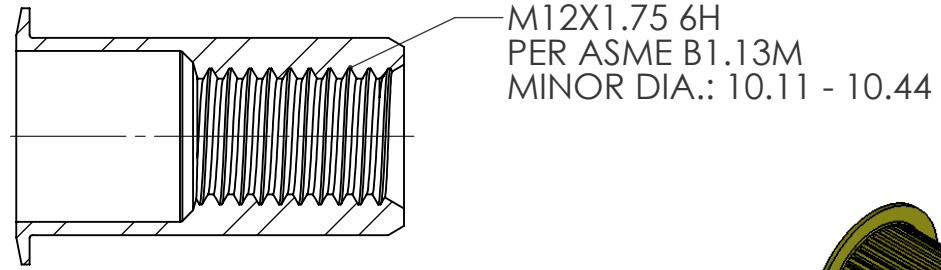
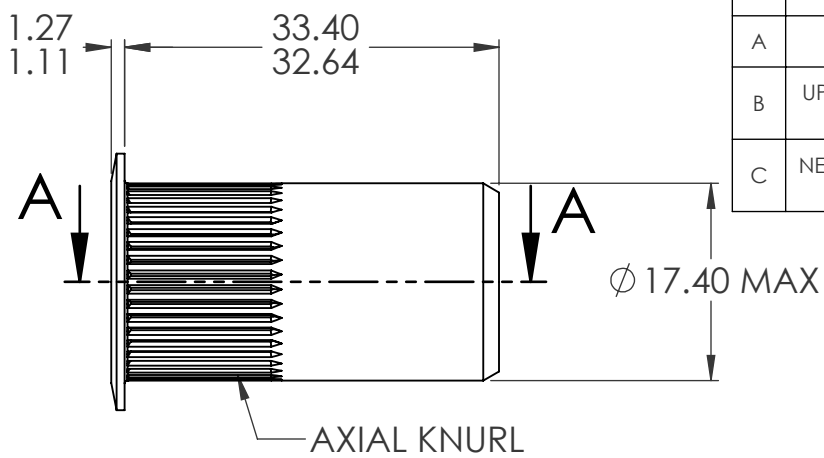
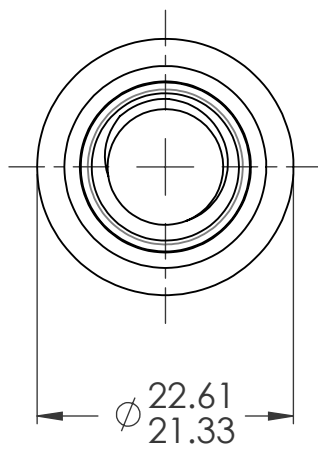
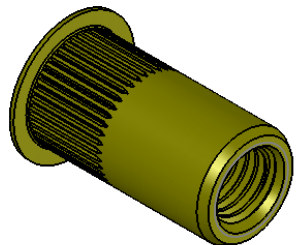


REVISIONS			
REV.	DESCRIPTION	DATE	ECN
A	INITIAL RELEASE	7/20/05	
B	UPDATE GRIP RANGE AND FINISH SPEC	9/22/10	1360
C	NEW FINISH PER SFS-01-001, SC2	1/14/15	1735



SECTION A-A
SCALE 1.5 : 1




- NOTE:
- GRIP RANGE: 5.1-8.9
 - HOLE SIZE: 17.45 +0.15/-0.0 AFTER ALL APPLIED FINISHES.
 - INSTALLED LENGTH: 21.59 MAX.
 - LUBRICATION: WAX
 - INSTALLATION TOOL: SSG 808 SPIN SPIN

PROPRIETARY AND CONFIDENTIAL
THIS DRAWING, AND THE INFORMATION CONTAINED HERIN, ARE THE PROPERTY OF SHEREX AND ARE NOT TO BE USED IN ANY MANNER DETRIMENT TO THE INTEREST OF THE COMPANY.

SHEREX RESERVES THE RIGHT TO REVISE PART/DRAWING WITHOUT NOTICE.

		UNLESS OTHERWISE SPECIFIED: DIMENSIONS ARE IN MILLIMETERS TOLERANCES: ANGULAR: MACH ±1 BEND ±1 TWO PLACE DECIMAL ±.10 THREE PLACE DECIMAL ±.05 INTERPRET GEOMETRIC TOLERANCING PER: ASME Y14.5M-1994 MATERIAL C1008/C1010 FINISH ZINC PLATE W/YELLOW TRIVALENT CHROMATE PER SFS-01-001, SC2				
				NAME	DATE	
			DRAWN	TOO	7/20/05	
			CHECKED			
			ENG APPR.	TOO	7/20/05	
			MFG APPR.	AJP	7/20/05	
			Q.A.			
			COMMENTS: E-mail: info@sherex.com www.sherex.com Phone: 866-474-3739 Fax: 716-875-0358			
NEXT ASSY	USED ON					
APPLICATION		DO NOT SCALE DRAWING				



TITLE:
LARGE FLANGE OPEN END

SIZE A	DWG. NO. CAL2-12175-8.9	REV C
SCALE: 2:1	WEIGHT: .0291 kg	SHEET 1 OF 1