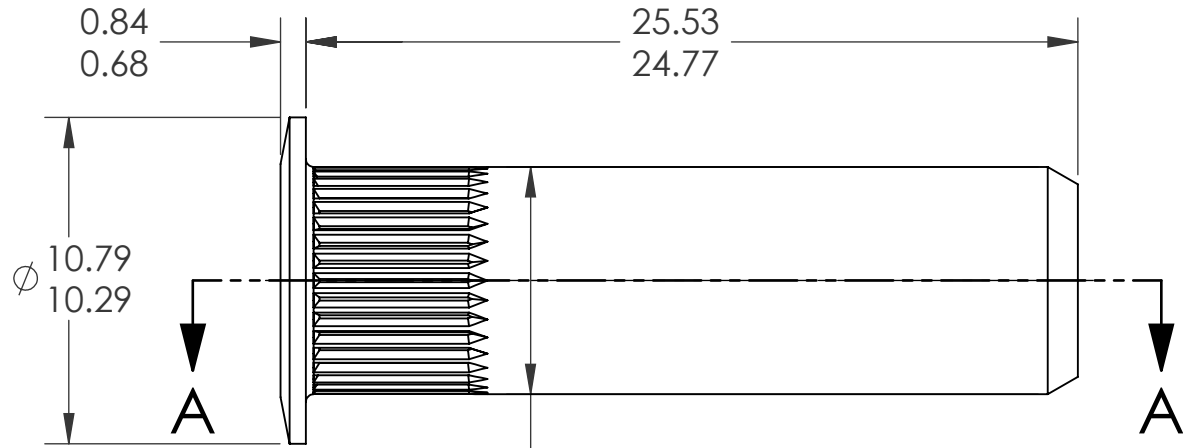
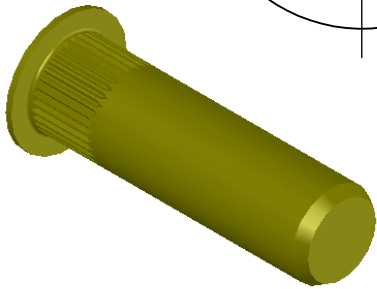
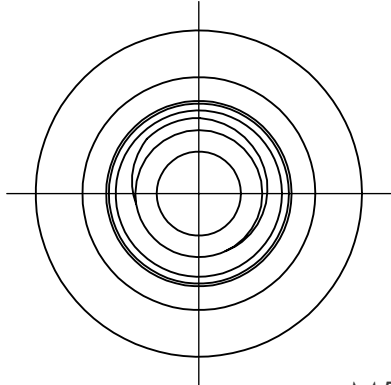
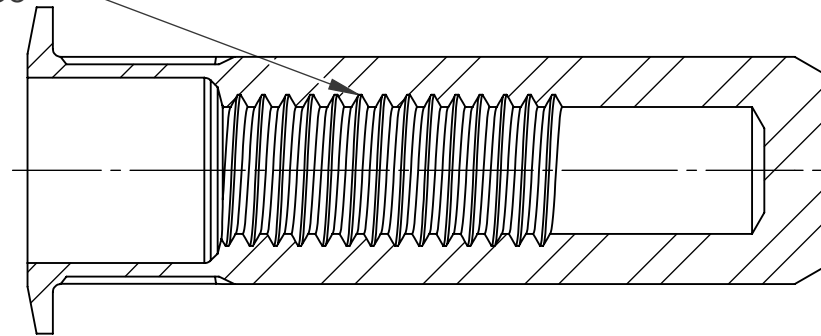


REVISIONS			
REV.	DESCRIPTION	DATE	ECN
A	INITIAL RELEASE	5/23/05	
B	NEW FINISH PER SFS-01-001, SC2	1/16/15	1737



M5X0.8 6H
PER ASME B1.13M
MINOR DIA.: 4.13 - 4.33

Ø 7.52 MAX



SECTION A-A

NOTE:

- GRIP RANGE: 0.5 - 3.3
- HOLE SIZE: 7.60 +0.15/-0.0 AFTER ALL APPLIED FINISHES.
- INSTALLED LENGTH: 21.46 MAX.
- INSTALLED THREAD DEPTH: 18.54 REF.
- LUBRICATION: OIL
- INSTALLATION TOOL: SSG 802 SPIN SPIN

PROPRIETARY AND CONFIDENTIAL

THIS DRAWING, AND THE INFORMATION CONTAINED HEREIN, ARE THE PROPERTY OF SHEREX AND ARE NOT TO BE USED IN ANY MANNER DETRIMENTAL TO THE INTEREST OF THE COMPANY.
SHEREX SOLUTIONS RESERVES THE RIGHT TO REVISE PART/DRAWING WITHOUT NOTICE.

		UNLESS OTHERWISE SPECIFIED:		NAME	DATE
		DIMENSIONS ARE IN MILLIMETERS TOLERANCES: ANGULAR: MACH ± 1 BEND ± 1 ONE PLACE DECIMAL ± 0.10 TWO PLACE DECIMAL ± 0.05		DRAWN	TOO 5/23/05
		INTERPRET GEOMETRIC TOLERANCING PER: ASME Y14.5M-1994		CHECKED	
		MATERIAL		ENG APPR.	TOO 5/23/05
		C1008/C1010		MFG APPR.	AJP 5/23/05
		FINISH		Q.A.	
		ZINC PLATE W/YELLOW TRIVALENT CHROMATE PER SFS-01-001, SC2		COMMENTS:	
NEXT ASSY	USED ON	E-mail: info@sherex.com www.sherex.com Phone: 866-474-3739 Fax: 716-875-0358			
APPLICATION		DO NOT SCALE DRAWING			



TITLE:
LARGE FLANGE CLOSED END

SIZE DWG. NO. REV
A CAL2-580-3.3B B

SCALE: 2:1 WEIGHT: .0056 kg SHEET 1 OF 1