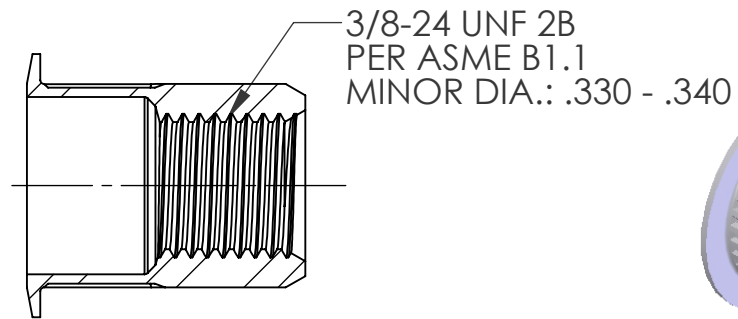
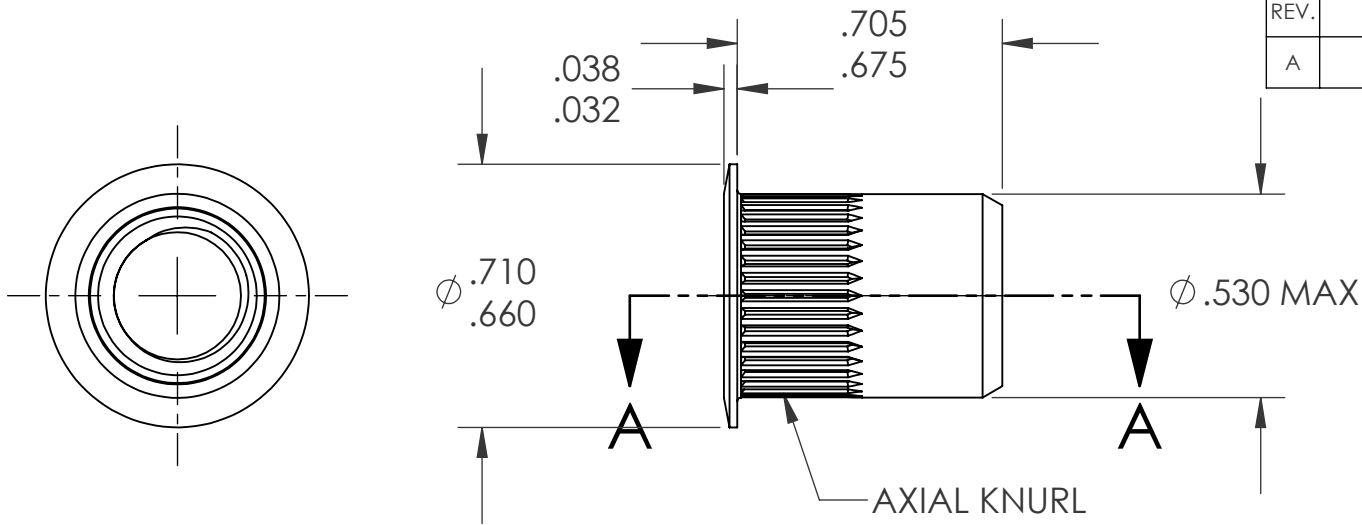


REVISIONS			
REV.	DESCRIPTION	DATE	ECN
A	INITIAL RELEASE	4/15/09	1167



NOTE:

1. GRIP RANGE: .027 - .150
2. HOLE SIZE: .531 +.006/-.000 AFTER ALL APPLIED FINISHES.
3. INSTALLED LENGTH: .470 MAX.
4. LUBRICATION: WAX
5. INSTALLATION TOOL: SSG 803 SPIN SPIN

SECTION A-A

PROPRIETARY AND CONFIDENTIAL

THIS DRAWING, AND THE INFORMATION CONTAINED HEREIN, ARE THE PROPERTY OF SHEREX AND ARE NOT TO BE USED IN ANY MANNER DETRIMENTAL TO THE INTEREST OF THE COMPANY.
SHEREX SOLUTIONS RESERVES THE RIGHT TO REVISE PART/DRAWING WITHOUT NOTICE.

		UNLESS OTHERWISE SPECIFIED:		NAME	DATE
		DIMENSIONS ARE IN INCHES TOLERANCES: ANGULAR: MACH ± 1 BEND ± 1 TWO PLACE DECIMAL ± .01 THREE PLACE DECIMAL ± .002	DRAWN	TWR	4/15/09
		INTERPRET GEOMETRIC TOLERANCING PER: ASME Y14.5M-1994	CHECKED		
		MATERIAL	ENG APPR.	JVK	4/15/09
		A 5056	MFG APPR.		
		FINISH	Q.A.	JVK	4/15/09
		NONE	COMMENTS:		
NEXT ASSY	USED ON		E-mail: info@sherex.com www.sherex.com Phone: 866-474-3739 Fax: 716-875-0358		
APPLICATION		DO NOT SCALE DRAWING			



TITLE:

LARGE FLANGE OPEN END

SIZE DWG. NO.

A CAL3-3724-150

REV

A

SCALE: 2:1 WEIGHT: kg SHEET 1 OF 1