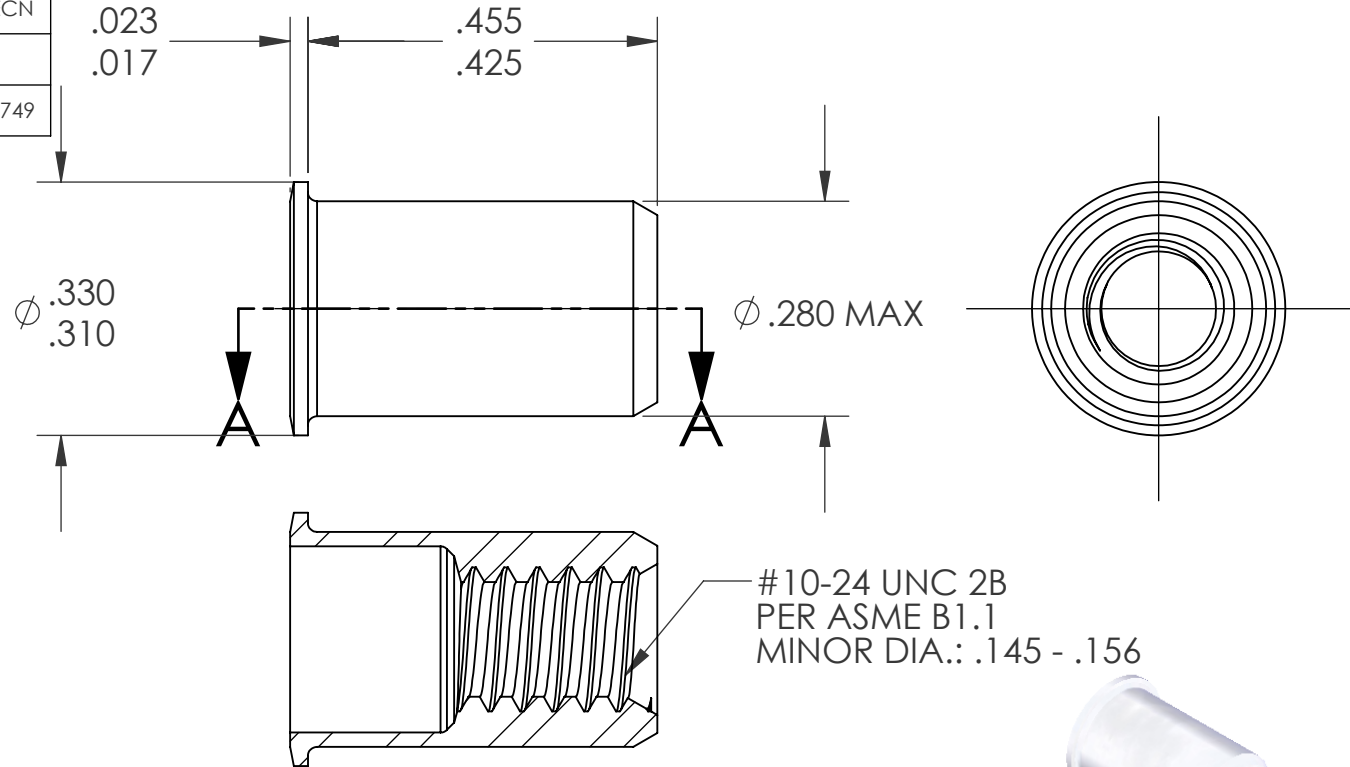


REVISIONS			
REV.	DESCRIPTION	DATE	ECN
A	INITIAL RELEASE	8/11/03	
B	NEW FINISH PER SFS-01-001	1/23/15	1749




SECTION A-A

NOTE:

- GRIP RANGE: .020 - .130
- HOLE SIZE: .281 +.006/-.000 AFTER ALL APPLIED FINISHES.
- INSTALLED LENGTH: .330 MAX.
- LUBRICATION: WAX
- INSTALLATION TOOL: SSG 802 SPIN SPIN

PROPRIETARY AND CONFIDENTIAL

THIS DRAWING, AND THE INFORMATION CONTAINED HEREIN, ARE THE PROPERTY OF SHEREX AND ARE NOT TO BE USED IN ANY MANNER DETRIMENTAL TO THE INTEREST OF THE COMPANY.
SHEREX SOLUTIONS RESERVES THE RIGHT TO REVISE PART/DRAWING WITHOUT NOTICE.

		UNLESS OTHERWISE SPECIFIED:		NAME	DATE	
		DIMENSIONS ARE IN INCHES TOLERANCES: ANGULAR: MACH ±1 BEND ±1 TWO PLACE DECIMAL ±.01 THREE PLACE DECIMAL ±.002	DRAWN	JLA	8/11/03	
		INTERPRET GEOMETRIC TOLERANCING PER: ASME Y14.5M-1994	CHECKED			TITLE: SMALL FLANGE SMOOTH BODY
		MATERIAL C1008/C1010	ENG APPR.	JLA	8/11/03	
		FINISH ZINC PLATE W/CLEAR TRIVALENT CHROMATE PER SFS-01-001	MFG APPR.	AJP	8/11/03	SIZE DWG. NO. A CAO2-1024-130
NEXT ASSY	USED ON		Q.A.			
APPLICATION		DO NOT SCALE DRAWING	COMMENTS: E-mail: info@sherex.com www.sherex.com Phone: 866-474-3739 Fax: 716-875-0358			SCALE: 2:1 WEIGHT: .0018 kg SHEET 1 OF 1