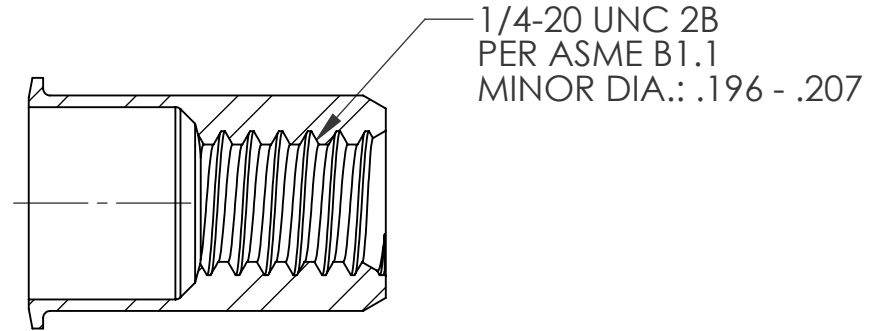
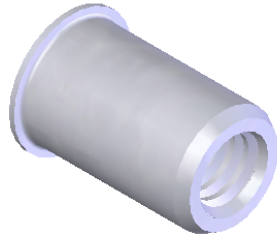
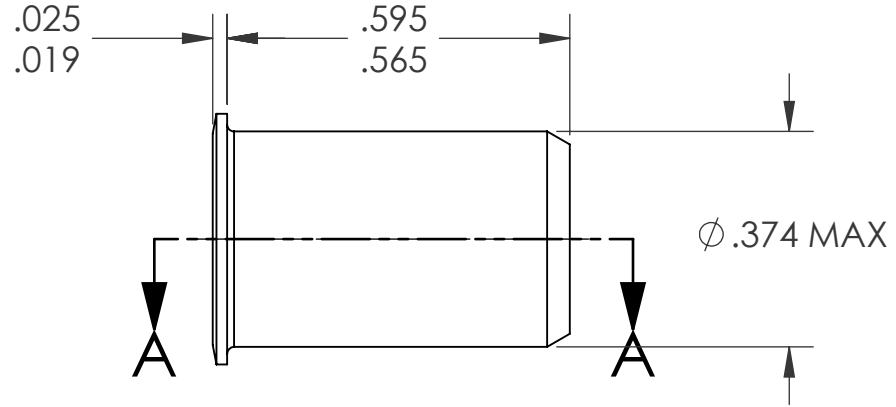
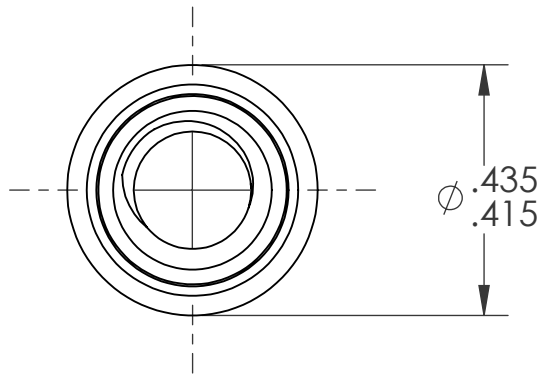


REVISIONS			
REV.	DESCRIPTION	DATE	ECN
A	INITIAL RELEASE	5/24/11	1412



SECTION A-A  
SCALE 3 : 1

- NOTE:
- GRIP RANGE: .030 - .165
  - HOLE SIZE: .375 +.006/-.000 AFTER ALL APPLIED FINISHES.
  - INSTALLED LENGTH: .440 MAX.
  - LUBRICATION: WAX
  - INSTALLATION TOOL: SSG 802 SPIN SPIN

**PROPRIETARY AND CONFIDENTIAL**  
THIS DRAWING, AND THE INFORMATION CONTAINED HEREIN, ARE THE PROPERTY OF SHEREX AND ARE NOT TO BE USED IN ANY MANNER DETRIMENTAL TO THE INTEREST OF THE COMPANY.  
SHEREX SOLUTIONS RESERVES THE RIGHT TO REVISE PART/DRAWING WITHOUT NOTICE.

		UNLESS OTHERWISE SPECIFIED:		NAME	DATE
		DIMENSIONS ARE IN INCHES TOLERANCES: ANGULAR: MACH ± 1 BEND ± 1 TWO PLACE DECIMAL ± .01 THREE PLACE DECIMAL ± .002	DRAWN	CL	5/24/11
		INTERPRET GEOMETRIC TOLERANCING PER: ASME Y14.5M-1994	CHECKED	AP	5/24/11
		MATERIAL	ENG APPR.		
		C1008/C1010	MFG APPR.		
		FINISH	Q.A.	JR	5/24/11
		ZINC PLATE CLEAR TRIVALENT CHROMATE PER SHEREX SFS-01-001	COMMENTS:	E-mail: info@sherex.com www.sherex.com Phone: 866-474-3739 Fax: 716-875-0358	
NEXT ASSY	USED ON				
APPLICATION		DO NOT SCALE DRAWING			



TITLE:  
**SMALL FLANGE SMOOTH BODY**

SIZE	DWG. NO.	REV
<b>A</b>	CAO2-2520-165T	A

SCALE: 2:1 WEIGHT: .0039 kg SHEET 1 OF 1