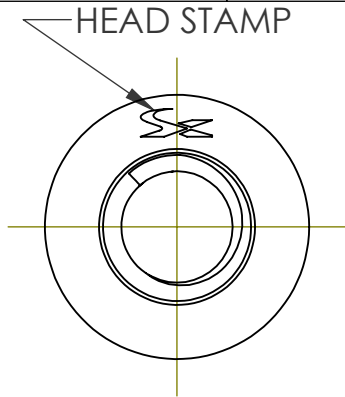
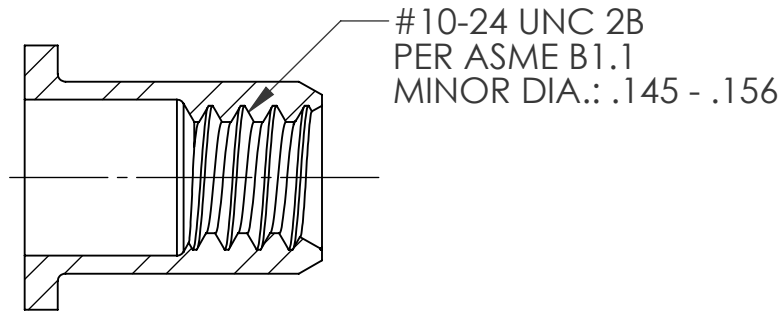
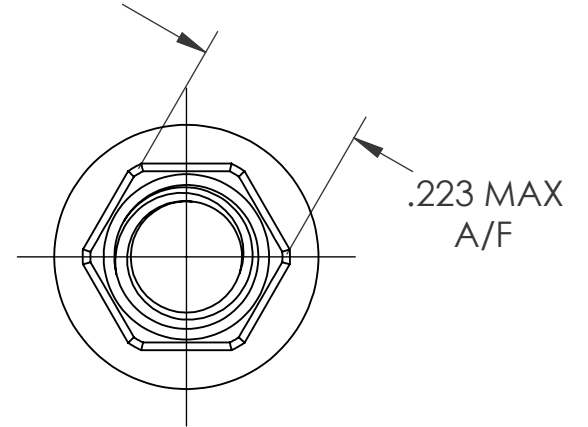
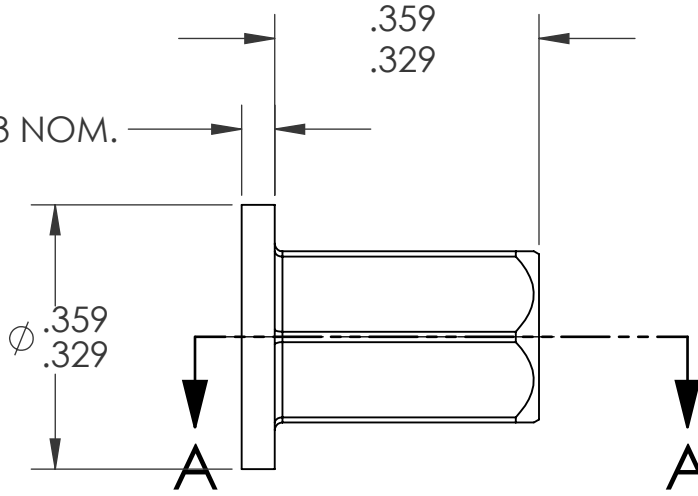


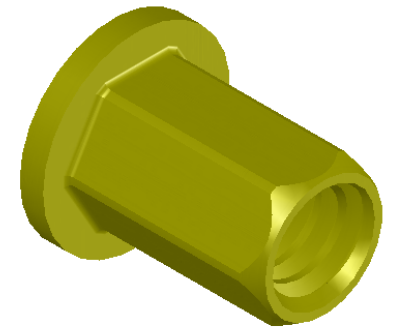
REVISIONS			
REV.	DESCRIPTION	DATE	ECN
A	INITIAL RELEASE	9/13/07	
B	NEW FINISH PER SFS-01-001, SC2	2/27/15	1786



.043 NOM.



SECTION A-A




NOTE:

- GRIP RANGE: .010 - .085
- HOLE SIZE: .223 +.006/-.000 A/F AFTER ALL APPLIED FINISHES.
- INSTALLED LENGTH: .200 REF.
- LUBRICATION: NONE
- INSTALLATION TOOL: SPIN-PULL

**PROPRIETARY AND CONFIDENTIAL**

THIS DRAWING, AND THE INFORMATION CONTAINED HEREIN, ARE THE PROPERTY OF SHEREX AND ARE NOT TO BE USED IN ANY MANNER DETRIMENTAL TO THE INTEREST OF THE COMPANY.  
SHEREX SOLUTIONS RESERVES THE RIGHT TO REVISE PART/DRAWING WITHOUT NOTICE.

		UNLESS OTHERWISE SPECIFIED:	NAME	DATE
		DIMENSIONS ARE IN INCHES TOLERANCES: ANGULAR: MACH ±1 BEND ±1 TWO PLACE DECIMAL ±.01 THREE PLACE DECIMAL ±.002	DRAWN	TOO 9/13/07
		INTERPRET GEOMETRIC TOLERANCING PER: ASME Y14.5M-1994	CHECKED	
		MATERIAL	ENG APPR.	TOO 9/13/07
		C1008/C1010	MFG APPR.	AJP 9/13/07
		FINISH	Q.A.	
		ZINC PLATE W/YELLOW TRIVALENT CHROMATE PER SFS-01-001, SC2	COMMENTS:	
NEXT ASSY	USED ON		E-mail: <a href="mailto:info@sherex.com">info@sherex.com</a>	
			<a href="http://www.sherex.com">www.sherex.com</a>	
			Phone: 866-474-3739	
			Fax: 716-875-0358	
APPLICATION		DO NOT SCALE DRAWING		

		
TITLE:		
FLAT HEAD HEX BODY OPEN END		
SIZE DWG. NO.		REV
<b>A</b>	CFH2-1024-085	<b>B</b>
SCALE: 2:1	WEIGHT: .0010 kg	SHEET 1 OF 1