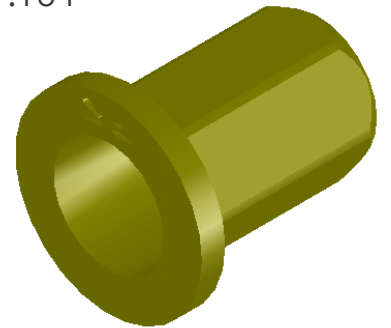
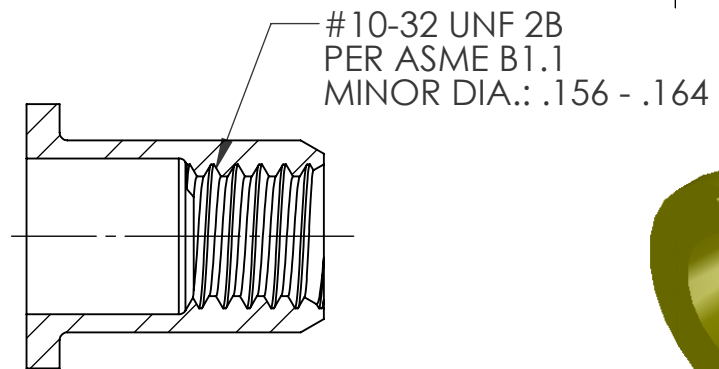
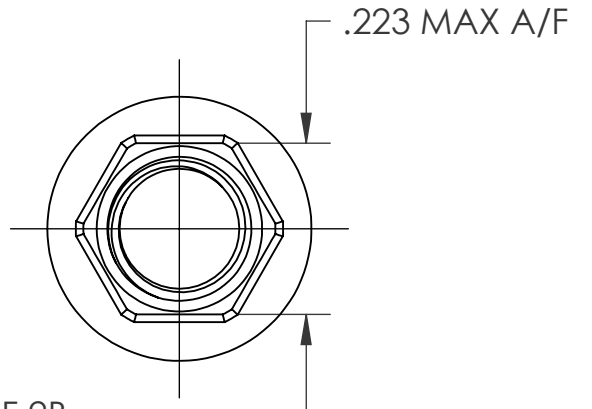
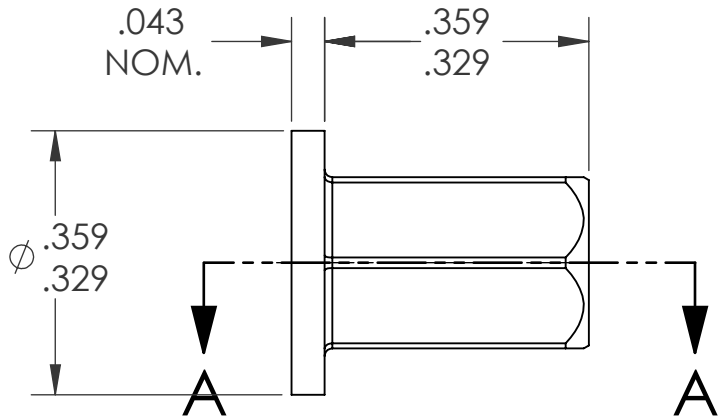
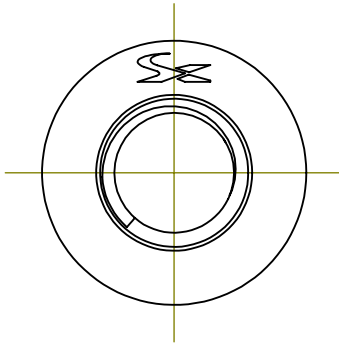


REVISIONS			
REV.	DESCRIPTION	DATE	ECN
A	INITIAL RELEASE	5/31/07	
B	NEW FINISH PER SFS-01-001, SC2	2/27/15	1786



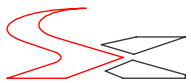
NOTE:

- GRIP RANGE: .010 - .085
- HOLE SIZE: .223 +.006/-.000 A/F AFTER ALL APPLIED FINISHES.
- INSTALLED LENGTH: .200 REF.
- LUBRICATION: NONE
- INSTALLATION TOOL: SPIN-PULL

SECTION A-A

**PROPRIETARY AND CONFIDENTIAL**  
 THIS DRAWING, AND THE INFORMATION CONTAINED HEREIN, ARE THE PROPERTY OF SHEREX AND ARE NOT TO BE USED IN ANY MANNER DETRIMENTAL TO THE INTEREST OF THE COMPANY.  
 SHEREX SOLUTIONS RESERVES THE RIGHT TO REVISE PART/DRAWING WITHOUT NOTICE.

		UNLESS OTHERWISE SPECIFIED:		NAME	DATE
		DIMENSIONS ARE IN INCHES TOLERANCES: ANGULAR: MACH ± 1 BEND ± 1 TWO PLACE DECIMAL ± .02 THREE PLACE DECIMAL ± .010	DRAWN	TOO	5/31/07
		INTERPRET GEOMETRIC TOLERANCING PER: ASME Y14.5M-1994	CHECKED		
		MATERIAL	ENG APPR.	TOO	5/31/07
		C1008/C1010	MFG APPR.	AJP	5/31/07
		FINISH	Q.A.		
		ZINC PLATE W/YELLOW TRIVALENT CHROMATE PER SFS-01-001, SC2	COMMENTS:	E-mail: info@sherex.com www.sherex.com Phone: 866-474-3739 Fax: 716-875-0358	
NEXT ASSY	USED ON				
APPLICATION		DO NOT SCALE DRAWING			

 <b>TITLE:</b> FLAT HEAD HEX BODY OPEN END		
SCALE: 2:1	WEIGHT: .0010 kg	SHEET 1 OF 1