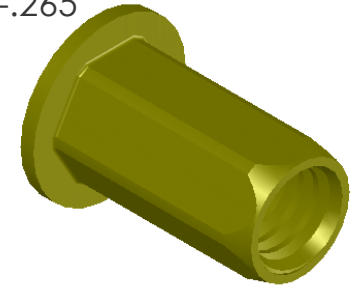
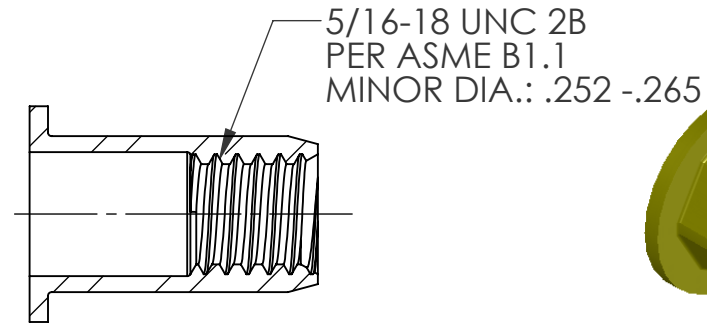
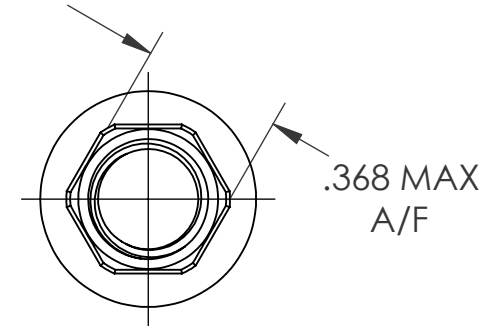
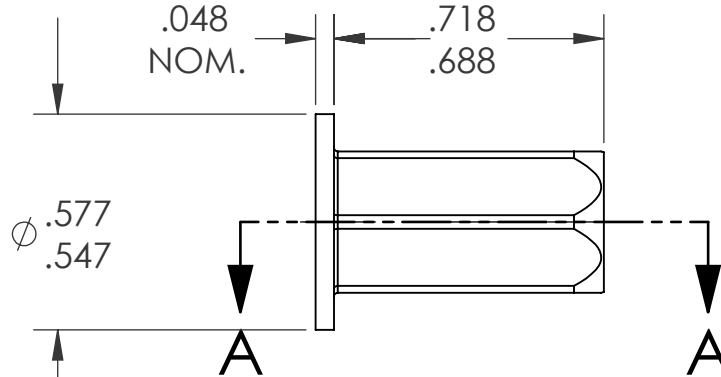
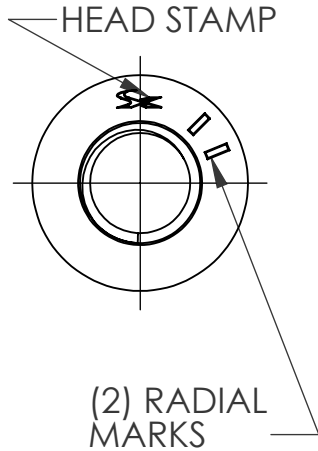


REVISIONS			
REV.	DESCRIPTION	DATE	ECN
A	INITIAL RELEASE	7/20/05	
B	NEW FINISH PER SFS-01-001, SC2	2/27/15	1786



SECTION A-A  
SCALE 2 : 1

- NOTE:
- GRIP RANGE: .175 - .245
  - HOLE SIZE: .368 +.006/- .000 A/F AFTER ALL APPLIED FINISHES.
  - INSTALLED LENGTH: .375 REF.
  - LUBRICATION: NONE
  - INSTALLATION TOOL: MS 50 SPIN PULL

**PROPRIETARY AND CONFIDENTIAL**  
THIS DRAWING, AND THE INFORMATION CONTAINED HEREIN, ARE THE PROPERTY OF SHEREX AND ARE NOT TO BE USED IN ANY MANNER DETRIMENTAL TO THE INTEREST OF THE COMPANY.  
SHEREX SOLUTIONS RESERVES THE RIGHT TO REVISE PART/DRAWING WITHOUT NOTICE.

		UNLESS OTHERWISE SPECIFIED:	NAME	DATE
		DIMENSIONS ARE IN INCHES TOLERANCES: ANGULAR: MACH ± 1 BEND ± 1 TWO PLACE DECIMAL ± .02 THREE PLACE DECIMAL ± .010	DRAWN	TOO 7/20/05
		INTERPRET GEOMETRIC TOLERANCING PER: ASME Y14.5M-1994	CHECKED	
		MATERIAL	ENG APPR.	TOO 7/20/05
		C1008/C1010	MFG APPR.	AJP 7/20/05
		FINISH	Q.A.	
		ZINC PLATE W/YELLOW TRIVALENT CHROMATE PER SFS-01-001, SC2	COMMENTS:	
NEXT ASSY	USED ON		E-mail: <a href="mailto:info@sherex.com">info@sherex.com</a>	
			<a href="http://www.sherex.com">www.sherex.com</a>	
			Phone: 866-474-3739	
			Fax: 716-875-0358	
	APPLICATION	DO NOT SCALE DRAWING		

TITLE:		
FLAT HEAD FULL HEX		
SIZE	DWG. NO.	REV
<b>A</b>	CFH2-3118-245	<b>B</b>
SCALE: 2:1	WEIGHT: 0.0049 kg	SHEET 1 OF 1