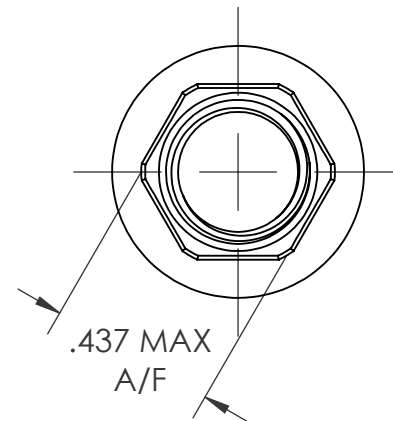
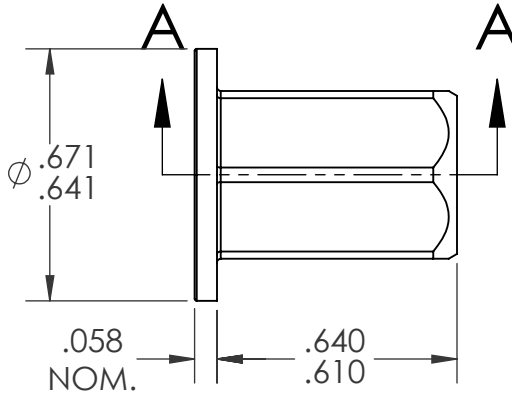
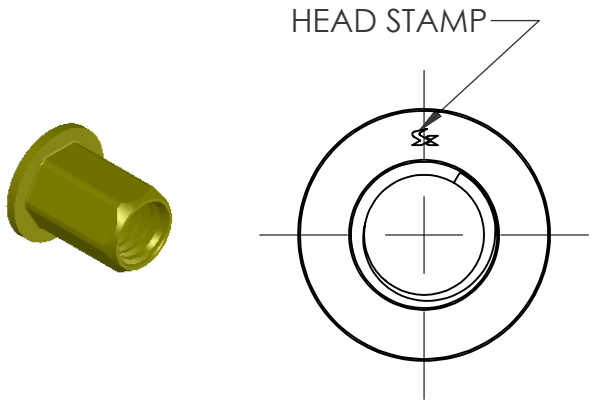
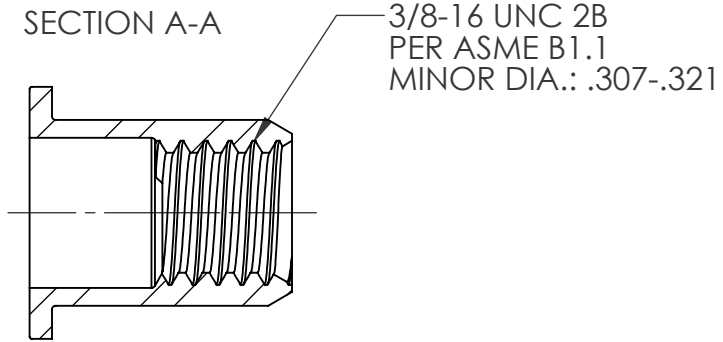


REVISIONS			
REV.	DESCRIPTION	DATE	ECN
A	INITIAL RELEASE	2/8/06	
B	NEW FINISH PER SFS-01-001, SC2	2/27/15	1786

SECTION A-A

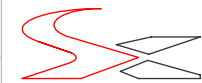


NOTE:

- GRIP RANGE: .030 - .115
- HOLE SIZE: .437 +.006/+0.000 A/F AFTER ALL APPLIED FINISHES.
- INSTALLED LENGTH: .400 REF.
- LUBRICATION: NONE
- INSTALLATION TOOL: MS100 SPIN PULL

**PROPRIETARY AND CONFIDENTIAL**  
 THIS DRAWING, AND THE INFORMATION CONTAINED HEREIN, ARE THE PROPERTY OF SHEREX AND ARE NOT TO BE USED IN ANY MANNER DETRIMENTAL TO THE INTEREST OF THE COMPANY.  
 SHEREX RESERVES THE RIGHT TO REVISE PART/DRAWING WITHOUT NOTICE.

		UNLESS OTHERWISE SPECIFIED: DIMENSIONS ARE IN INCHES TOLERANCES: ANGULAR: MACH $\pm 1$ BEND $\pm 1$ TWO PLACE DECIMAL $\pm .02$ THREE PLACE DECIMAL $\pm .010$ INTERPRET GEOMETRIC TOLERANCING PER: ASME Y14.5M-1994		NAME	DATE
		MATERIAL C1008/C1010		TOO	2/8/06
		FINISH ZINC PLATE W/YELLOW TRIVALENT CHROMATE PER SFS-01-001, SC2		CHECKED	
				ENG APPR.	TOO 2/8/06
				MFG APPR.	AJP 2/8/06
				Q.A.	
				COMMENTS: E-mail: info@sherex.com www.sherex.com Phone: 866-474-3739 Fax: 716-875-0358	
NEXT ASSY	USED ON				
APPLICATION		DO NOT SCALE DRAWING			



TITLE:  
**LARGE FLANGE FULL HEX**

SIZE <b>A</b>	DWG. NO. CFH2-3716-115	REV B
SCALE: 2:1	WEIGHT: .0064 kg	SHEET 1 OF 1