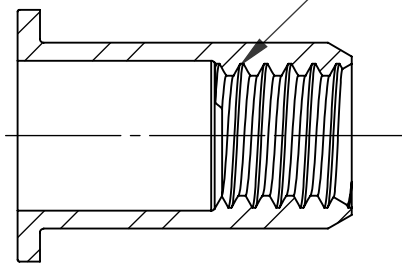
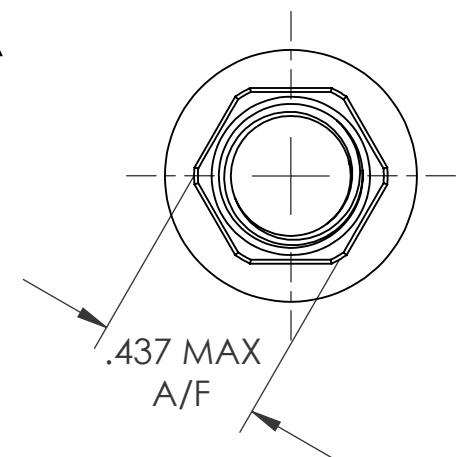
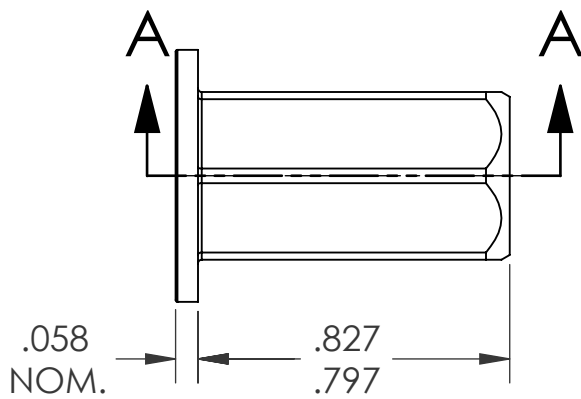
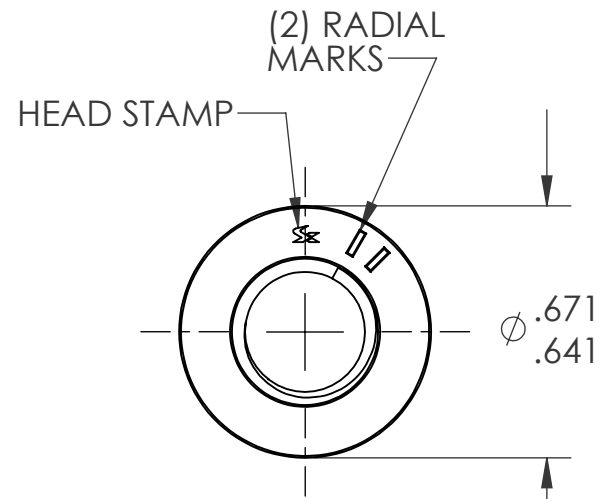


REVISIONS			
REV.	DESCRIPTION	DATE	ECN
A	NEW RELEASE	2/8/06	
B	.392/.388 WAS .406+/-0.010 .505+/-0.003 WAS .50 MAX.	4/4/06	
C	NEW FINISH PER SFS-01-001, SC2	2/27/15	1786

SECTION A-A



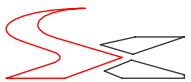
3/8-16 UNC 2B
PER ASME B1.1
MINOR DIA.: .307 - .321



- NOTE:
- GRIP RANGE:
 - HOLE SIZE: .437 +.006/+0.000 A/F AFTER ALL APPLIED FINISHES.
 - INSTALLED LENGTH: .410 REF.
 - LUBRICATION: NONE
 - INSTALLATION TOOL: MS 100 SPIN PULL

PROPRIETARY AND CONFIDENTIAL
THIS DRAWING, AND THE INFORMATION CONTAINED HEREIN, ARE THE PROPERTY OF SHEREX AND ARE NOT TO BE USED IN ANY MANNER DETRIMENTAL TO THE INTEREST OF THE COMPANY.
SHEREX SOLUTIONS RESERVES THE RIGHT TO REVISE PART/DRAWING WITHOUT NOTICE.

		UNLESS OTHERWISE SPECIFIED:		NAME	DATE
		DIMENSIONS ARE IN INCHES TOLERANCES: ANGULAR: MACH ± 1 BEND ± 1 TWO PLACE DECIMAL ± .02 THREE PLACE DECIMAL ± .010		DRAWN	TOO 2/8/06
		INTERPRET GEOMETRIC TOLERANCING PER: ASME Y14.5M-1994		CHECKED	
		MATERIAL		ENG APPR.	TOO 2/8/06
		C1008/C1010		MFG APPR.	AJP 2/8/06
		FINISH		Q.A.	
		ZINC PLATE W/YELLOW TRIVALENT CHROMATE PER SFS-01-001, SC2		COMMENTS:	
NEXT ASSY	USED ON	E-mail: info@sherex.com www.sherex.com Phone: 866-474-3739 Fax: 716-875-0358			
APPLICATION		DO NOT SCALE DRAWING			



TITLE:
FLAT HEAD FULL HEX

SIZE	DWG. NO.	REV
A	CFH2-3716-295	C

SCALE: 2:1 WEIGHT: .0075 kg SHEET 1 OF 1