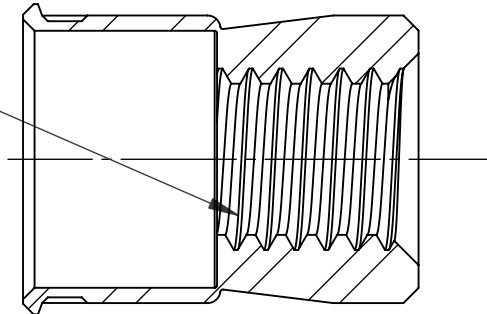


M6X1.0 "OVERSIZE"
NON-GAUGEABLE THREAD




SECTION A-A

NOTE:

1. GRIP RANGE: 0.76 MIN.
2. HOLE SIZE:
 1. 0.76 - 2.29 MT'L THICK.: 9.52 AFTER ALL APPLIED FINISHES.
 2. 2.31 - 3.15 MT'L THICK.: 9.52 AFTER ALL APPLIED FINISHES.
 3. 3.17 - 4.72 MT'L THICK.: 9.80 AFTER ALL APPLIED FINISHES.
 4. 4.72 - OVER MT'L THICK.: 9.92 AFTER ALL APPLIED FINISHES.
3. INSTALLED LENGTH: N/A
4. LUBRICATION: NONE
5. INSTALLATION TOOL: SSG 802 SPIN SPIN

PROPRIETARY AND CONFIDENTIAL
THIS DRAWING, AND THE INFORMATION CONTAINED HEREIN, ARE THE PROPERTY OF SHEREX AND ARE NOT TO BE USED IN ANY MANNER DETRIMENTAL TO THE INTEREST OF THE COMPANY.
SHEREX SOLUTIONS RESERVES THE RIGHT TO REVISE PART/DRAWING WITHOUT NOTICE.

		UNLESS OTHERWISE SPECIFIED:		NAME	DATE				
		DIMENSIONS ARE IN MILLIMETERS TOLERANCES: ANGULAR: MACH ± 1 BEND ± 1 ONE PLACE DECIMAL ± 0.10 TWO PLACE DECIMAL ± 0.05		DRAWN	JLA			8/11/03	
		INTERPRET GEOMETRIC TOLERANCING PER: ASME Y14.5M-1994		CHECKED			TITLE: SMALL FLANGE SWAGING		
		MATERIAL		ENG APPR.	JLA	8/11/03			
		12L14		MFG APPR.	AJP	8/11/03	SIZE DWG. NO. A CFT2-610 REV A		
		FINISH TIN ALLOY PER ASTM B545		COMMENTS: E-mail: info@sherex.com www.sherex.com Phone: 866-474-3739 Fax: 716-875-0358					
NEXT ASSY	USED ON	APPLICATION		DO NOT SCALE DRAWING			SCALE: 2:1	WEIGHT: .0030 kg	SHEET 1 OF 1