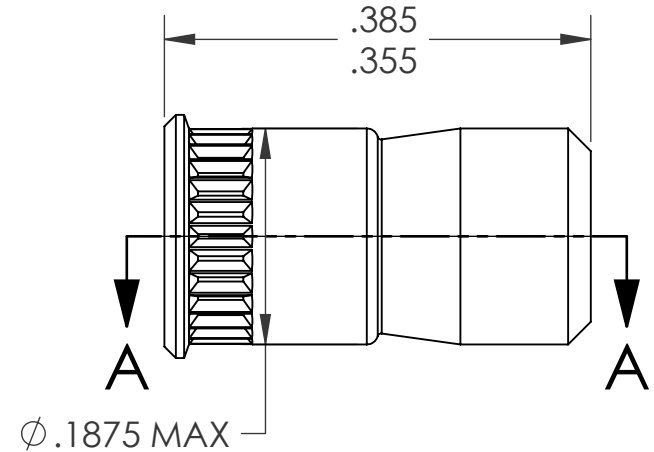
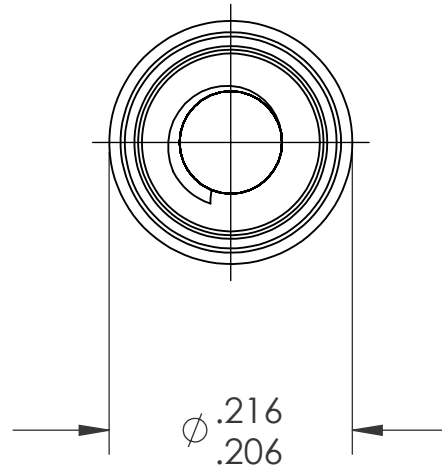
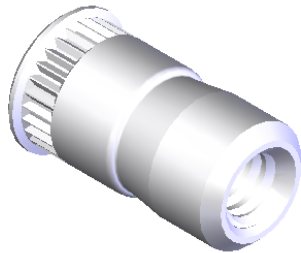
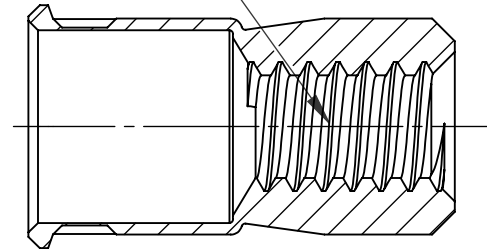


REVISIONS			
REV.	DESCRIPTION	DATE	ECN
A	INITIAL RELEASE	5/18/09	1184



#4-40 UNC "OVER SIZE"  
NON-GAUGEABLE THREAD



SECTION A-A  
SCALE 6 : 1

NOTE:

1. GRIP RANGE: .030 MIN.
2. HOLE SIZE:
  1. .030 - .090 MT'L THICK.: .1876 AFTER ALL APPLIED FINISHES.
  2. .091 - .124 MT'L THICK.: .1935 AFTER ALL APPLIED FINISHES.
  3. .125 - .186 MT'L THICK.: .1935 AFTER ALL APPLIED FINISHES.
  4. .187 - OVER MT'L THICK.: .1960 AFTER ALL APPLIED FINISHES.
3. INSTALLED LENGTH: N/A
4. LUBRICATION: NONE
5. INSTALLATION TOOL: SSG 802 SPIN SPIN

**PROPRIETARY AND CONFIDENTIAL**  
THIS DRAWING, AND THE INFORMATION CONTAINED HEREIN, ARE THE PROPERTY OF SHEREX AND ARE NOT TO BE USED IN ANY MANNER DETRIMENTAL TO THE INTEREST OF THE COMPANY.  
SHEREX SOLUTIONS RESERVES THE RIGHT TO REVISE PART/DRAWING WITHOUT NOTICE.

		UNLESS OTHERWISE SPECIFIED:		NAME	DATE	
		DIMENSIONS ARE IN INCHES TOLERANCES: ANGULAR: MACH ±1 BEND ±1 TWO PLACE DECIMAL ±.01 THREE PLACE DECIMAL ±.002		DRAWN	TWR 5/18/09	
		INTERPRET GEOMETRIC TOLERANCING PER: ASME Y14.5M-1994		CHECKED		
		MATERIAL 6061-T6 ALUMINUM		ENG APPR.	JVK 5/18/09	
		FINISH TIN ALLOY PER ASTM B545		MFG APPR.		
NEXT ASSY	USED ON			Q.A.	JVK 5/18/09	<b>TITLE:</b> <b>CADMIUM FREE          SMALL FLANGE SWAGING</b>
APPLICATION		DO NOT SCALE DRAWING		COMMENTS: E-mail: info@sherex.com www.sherex.com Phone: 866-474-3739 Fax: 716-875-0358		
				<b>SIZE DWG. NO.</b> <b>A CFT3-0440</b>		<b>REV</b> <b>A</b>
				SCALE: 2:1 WEIGHT: kg		SHEET 1 OF 1