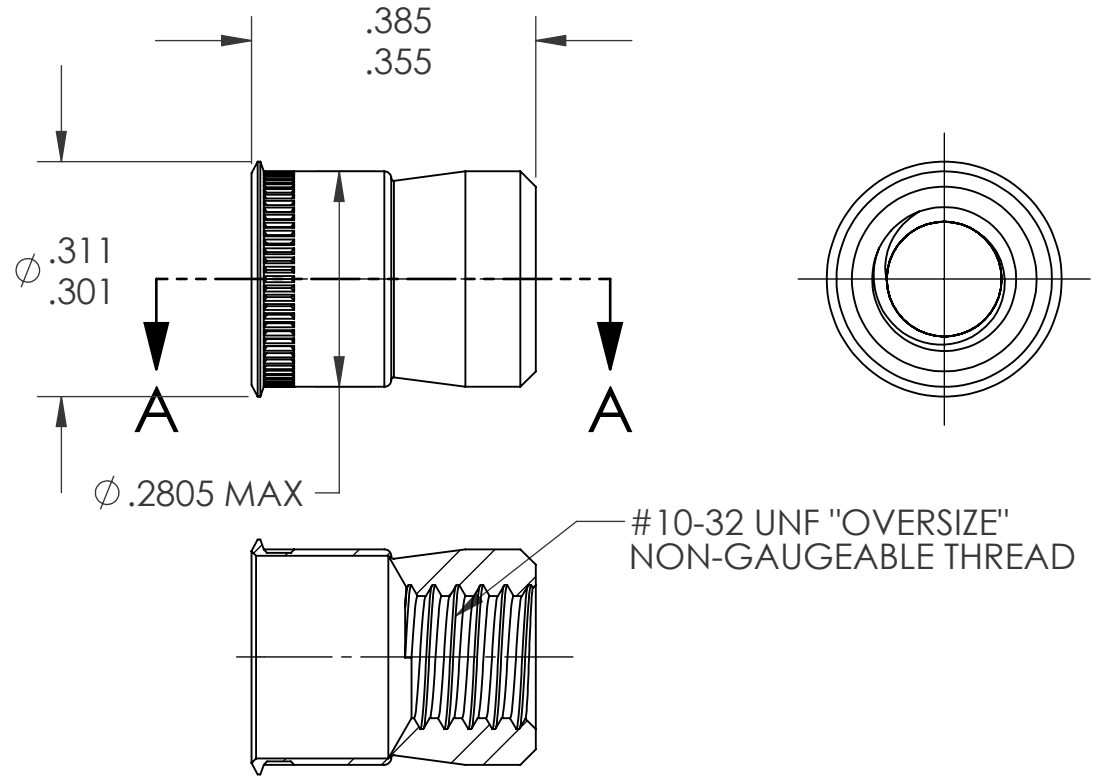
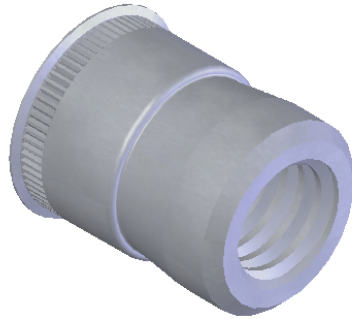


REVISIONS			
REV.	DESCRIPTION	DATE	ECN
A	INITIAL RELEASE	5/19/09	1184



SECTION A-A

NOTE:

1. GRIP RANGE: .030 MIN.
2. HOLE SIZE:
 1. .030 - .090 MT'L THICK.: .2812 .2812 AFTER ALL APPLIED FINISHES.
 2. .091 - .124 MT'L THICK.: .2900 AFTER ALL APPLIED FINISHES.
 3. .125 - .186 MT'L THICK.: .2900 AFTER ALL APPLIED FINISHES.
 4. .187 - OVER MT'L THICK.: .2969 AFTER ALL APPLIED FINISHES.
3. INSTALLED LENGTH: N/A
4. LUBRICATION:
5. INSTALLATION TOOL: SSG 802 SPIN SPIN

PROPRIETARY AND CONFIDENTIAL
 THIS DRAWING, AND THE INFORMATION CONTAINED HEREIN, ARE THE PROPERTY OF SHEREX AND ARE NOT TO BE USED IN ANY MANNER DETRIMENTAL TO THE INTEREST OF THE COMPANY.
 SHEREX SOLUTIONS RESERVES THE RIGHT TO REVISE PART/DRAWING WITHOUT NOTICE.

		UNLESS OTHERWISE SPECIFIED:		NAME	DATE		
		DIMENSIONS ARE IN INCHES TOLERANCES: ANGULAR: MACH ± .1 BEND ± .1 TWO PLACE DECIMAL ± .01 THREE PLACE DECIMAL ± .002		DRAWN	TWR 5/19/09		
		INTERPRET GEOMETRIC TOLERANCING PER: ASME Y14.5M-1994		CHECKED			
		MATERIAL		ENG APPR.	JVK 5/19/09		
		6061-T6 ALUMINUM		MFG APPR.			
		FINISH		Q.A.	JVK 5/19/09	TITLE: CADMIUM FREE SMALL FLANGE SWAGING	
		TIN ALLOY PER ASTM B545		COMMENTS: E-mail: info@sherex.com www.sherex.com Phone: 866-474-3739 Fax: 716-875-0358			
NEXT ASSY	USED ON					SIZE DWG. NO. A CFT3-1032	REV A
APPLICATION		DO NOT SCALE DRAWING				SCALE: 2:1 WEIGHT: kg SHEET 1 OF 1	