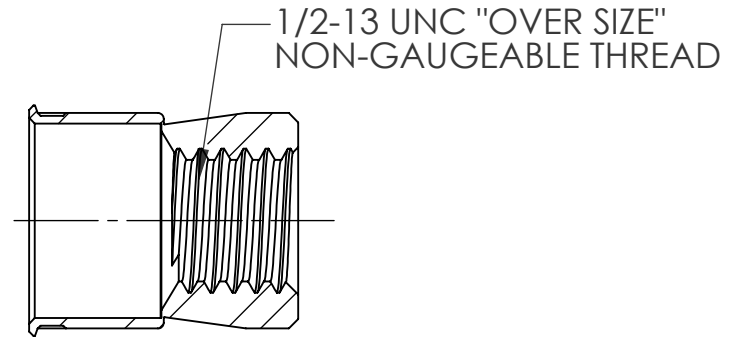
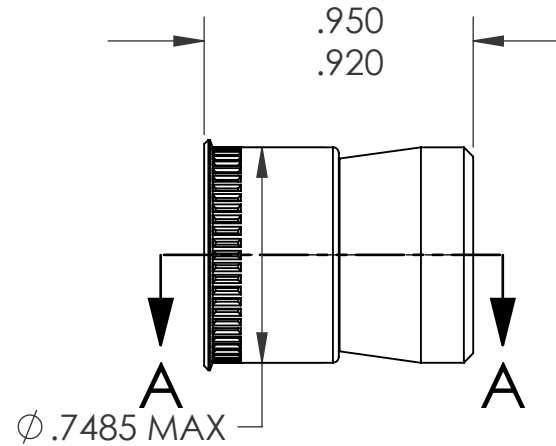
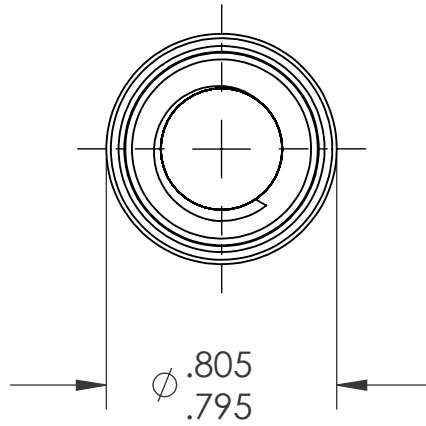
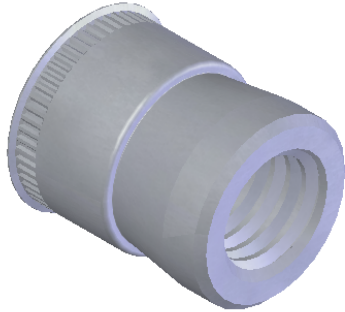


REVISIONS			
REV.	DESCRIPTION	DATE	ECN
A	INITIAL RELEASE	5/20/09	1184



SECTION A-A  
SCALE 1.5 : 1

NOTE:

1. GRIP RANGE: .030 MIN.
2. HOLE SIZE:
  1. .030 - .090 MT'L THICK.: .7500 AFTER ALL APPLIED FINISHES.
  2. .091 - .124 MT'L THICK.: .7656 AFTER ALL APPLIED FINISHES.
  3. .125 - .186 MT'L THICK.: .7810 AFTER ALL APPLIED FINISHES.
  4. .187 - OVER MT'L THICK.: .7970 AFTER ALL APPLIED FINISHES.
3. INSTALLED LENGTH: N/A
4. LUBRICATION: NONE
5. INSTALLATION TOOL: SSG 808 SPIN SPIN

**PROPRIETARY AND CONFIDENTIAL**  
THIS DRAWING, AND THE INFORMATION CONTAINED HEREIN, ARE THE PROPERTY OF SHEREX AND ARE NOT TO BE USED IN ANY MANNER DETRIMENTAL TO THE INTEREST OF THE COMPANY.  
SHEREX SOLUTIONS RESERVES THE RIGHT TO REVISE PART/DRAWING WITHOUT NOTICE.

		UNLESS OTHERWISE SPECIFIED:		NAME	DATE	
		DIMENSIONS ARE IN INCHES TOLERANCES: ANGULAR: MACH ± 1 BEND ± 1 TWO PLACE DECIMAL ± .01 THREE PLACE DECIMAL ± .002		DRAWN	TWR 5/20/09	
		INTERPRET GEOMETRIC TOLERANCING PER: ASME Y14.5M-1994		CHECKED		<b>TITLE:</b> <b>CADMIUM FREE          SMALL FLANGE SWAGING</b>
		MATERIAL		ENG APPR.	JVK 5/20/09	
		6061-T6 ALUMINUM		MFG APPR.		
		FINISH		Q.A.	JVK 5/20/09	<b>SIZE DWG. NO.</b> <b>A CFT3-5013</b>
		TIN ALLOY PER ASTM B545		COMMENTS: E-mail: info@sherex.com www.sherex.com Phone: 866-474-3739 Fax: 716-875-0358		
NEXT ASSY	USED ON	DO NOT SCALE DRAWING				<b>REV</b> <b>A</b>
APPLICATION				SCALE: 2:1 WEIGHT: kg		SHEET 1 OF 1