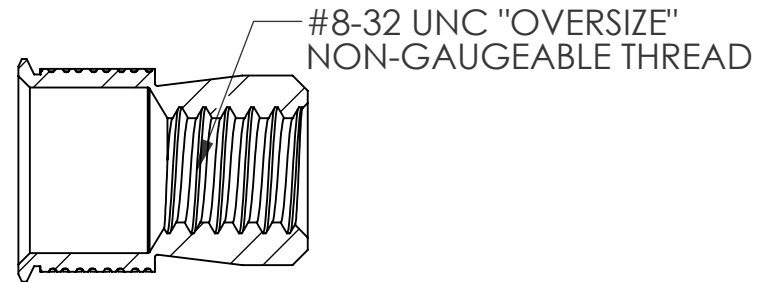
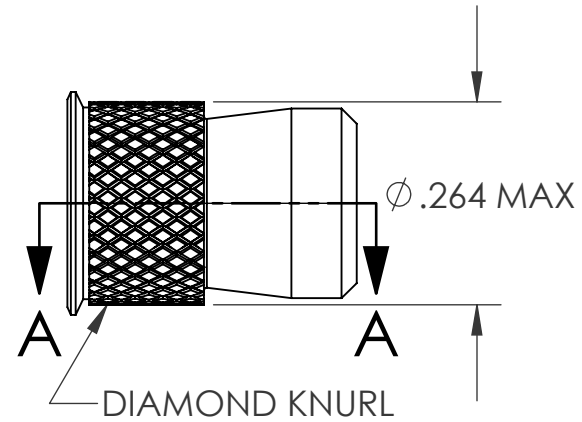
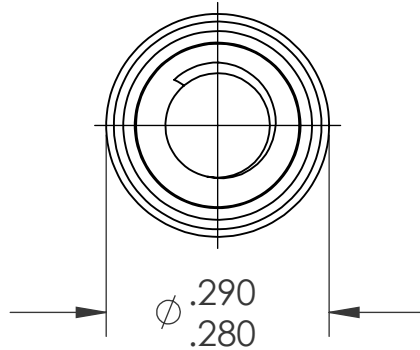
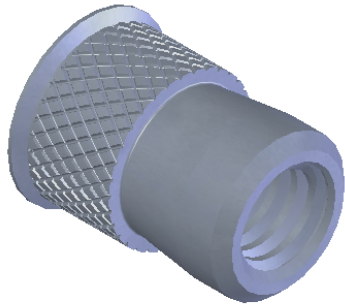


REVISIONS			
REV.	DESCRIPTION	DATE	ECN
A	INITIAL RELEASE	5/12/09	1182



SECTION A-A  
SCALE 4 : 1

NOTE:

1. GRIP RANGE: .062 MIN.
2. HOLE SIZE: .266 +.005/.000 AFTER ALL APPLIED FINISHES.
3. INSTALLED LENGTH: N/A
4. LUBRICATION: NONE
5. INSTALLATION TOOL: SSG 801 SPIN SPIN

**PROPRIETARY AND CONFIDENTIAL**  
THIS DRAWING, AND THE INFORMATION CONTAINED HEREIN, ARE THE PROPERTY OF SHEREX AND ARE NOT TO BE USED IN ANY MANNER DETRIMENTAL TO THE INTEREST OF THE COMPANY.  
SHEREX SOLUTIONS RESERVES THE RIGHT TO REVISE PART/DRAWING WITHOUT NOTICE.

		UNLESS OTHERWISE SPECIFIED:		NAME	DATE			
		DIMENSIONS ARE IN INCHES TOLERANCES: ANGULAR: MACH ± 1 BEND ± 1 TWO PLACE DECIMAL ± .01 THREE PLACE DECIMAL ± .002	DRAWN	TWR	5/12/09			
		INTERPRET GEOMETRIC TOLERANCING PER: ASME Y14.5M-1994	CHECKED					
		MATERIAL 304L STAINLESS	ENG APPR.	JVK	5/12/09			
		FINISH TIN ALLOY PER PER ASTM B545	MFG APPR.			<b>TITLE:</b> <b>CADMIUM FREE          KNURLED BODY SWAGING</b>		
NEXT ASSY	USED ON	DO NOT SCALE DRAWING	Q.A.	JVK	5/12/09			
APPLICATION			COMMENTS: E-mail: info@sherex.com www.sherex.com Phone: 866-474-3739 Fax: 716-875-0358			<b>SIZE DWG. NO.</b> <b>A CFW1-0832</b>	<b>REV</b> <b>A</b>	
						<b>SCALE: 2:1</b>	<b>WEIGHT: .0011 kg</b>	<b>SHEET 1 OF 1</b>