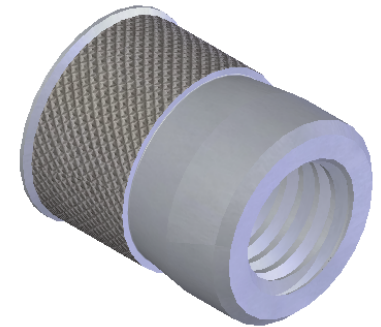



SECTION A-A



NOTE:

1. GRIP RANGE: 1.57 MIN.
2. HOLE SIZE: 15.00 +0.13/-0.0 AFTER ALL APPLIED FINISHES.
3. INSTALLED LENGTH: N/A
4. LUBRICATION: NONE
5. INSTALLATION TOOL: SSG 803 SPIN SPIN

PROPRIETARY AND CONFIDENTIAL
 THIS DRAWING, AND THE INFORMATION CONTAINED HEREIN, ARE THE PROPERTY OF SHEREX AND ARE NOT TO BE USED IN ANY MANNER DETRIMENTAL TO THE INTEREST OF THE COMPANY.
 SHEREX SOLUTIONS RESERVES THE RIGHT TO REVISE PART/DRAWING WITHOUT NOTICE.

		UNLESS OTHERWISE SPECIFIED:		NAME	DATE		
		DIMENSIONS ARE IN INCHES TOLERANCES: ANGULAR: MACH ±1 BEND ±1 TWO PLACE DECIMAL ±.01 THREE PLACE DECIMAL ±.002	DRAWN	JLA	8/11/03		
		INTERPRET GEOMETRIC TOLERANCING PER: ASME Y14.5M-1994	CHECKED			TITLE: CADMIUM FREE KNURLED BODY SWAGING	
		MATERIAL	ENG APPR.	JLA	8/11/03		
		12L14	MFG APPR.	AJP	8/11/03	SIZE DWG. NO. A CFW2-1015	
		FINISH	Q.A.				
NEXT ASSY	USED ON	TIN ALLOY PER ASTM B545	COMMENTS:			REV A	
APPLICATION		DO NOT SCALE DRAWING	E-mail: info@sherex.com www.sherex.com Phone: 866-474-3739 Fax: 716-875-0358				
			SCALE: 2:1			WEIGHT: .0096 kg	SHEET 1 OF 1