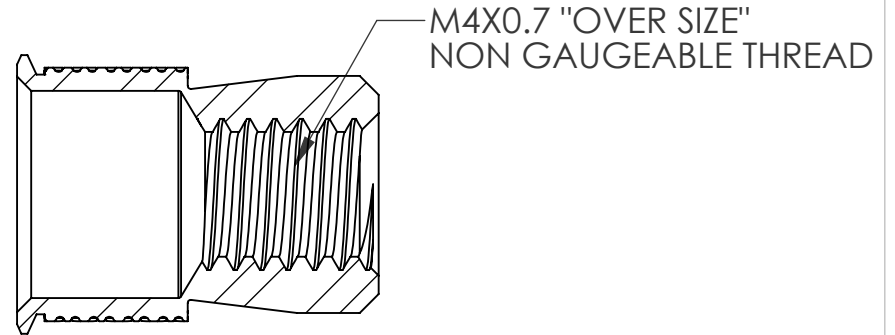
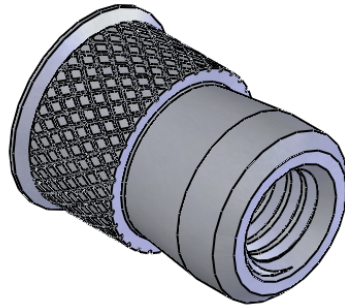
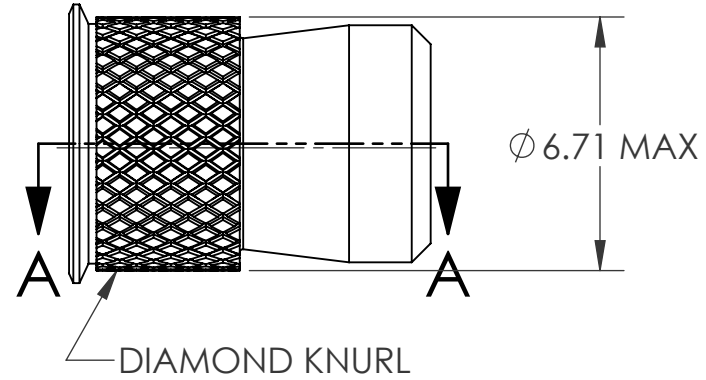
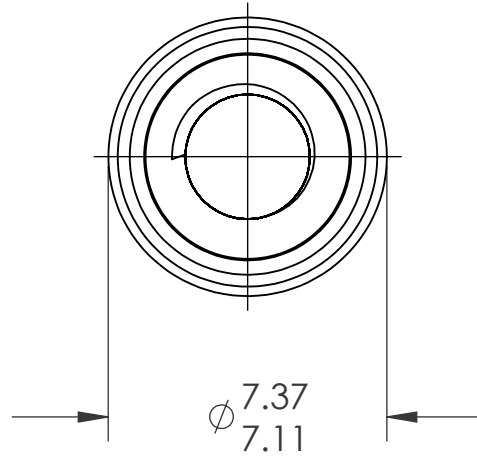


REVISIONS			
REV.	DESCRIPTION	DATE	ECN
A	INITIAL RELEASE	5/11/09	1182



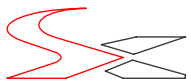
SECTION A-A  
SCALE 5 : 1

**NOTE:**

1. GRIP RANGE: 1.57 MIN.
2. HOLE SIZE: 6.75 +0.13/-0.0 AFTER ALL APPLIED FINISHES.
3. INSTALLED LENGTH: N/A
4. LUBRICATION: NONE
5. INSTALLATION TOOL: SSG 801 SPIN SPIN

**PROPRIETARY AND CONFIDENTIAL**  
THIS DRAWING, AND THE INFORMATION CONTAINED HEREIN, ARE THE PROPERTY OF SHEREX AND ARE NOT TO BE USED IN ANY MANNER DETRIMENTAL TO THE INTEREST OF THE COMPANY.  
SHEREX SOLUTIONS RESERVES THE RIGHT TO REVISE PART/DRAWING WITHOUT NOTICE.

		UNLESS OTHERWISE SPECIFIED:	NAME	DATE
		DIMENSIONS ARE IN MILLIMETERS TOLERANCES: ANGULAR: MACH ± 1 BEND ± 1 ONE PLACE DECIMAL ± 0.10 TWO PLACE DECIMAL ± 0.05	DRAWN	TWR 5/11/09
		INTERPRET GEOMETRIC TOLERANCING PER: ASME Y14.5M-1994	CHECKED	
		MATERIAL	ENG APPR.	JVK 5/11/09
		6061-T6 ALUMINUM	MFG APPR.	
		FINISH	Q.A.	JVK 5/11/09
		TIN ALLOY PER PER ASTM B545	COMMENTS:	
NEXT ASSY	USED ON		E-mail: info@sherex.com	
		DO NOT SCALE DRAWING	www.sherex.com	
			Phone: 866-474-3739	
			Fax: 716-875-0358	

		
TITLE:		
CADMIUM FREE KNURLED BODY SWAGING		
SIZE DWG. NO.	REV	
<b>A</b> CFW3-470	A	
SCALE: 2:1	WEIGHT: .0011 kg	SHEET 1 OF 1