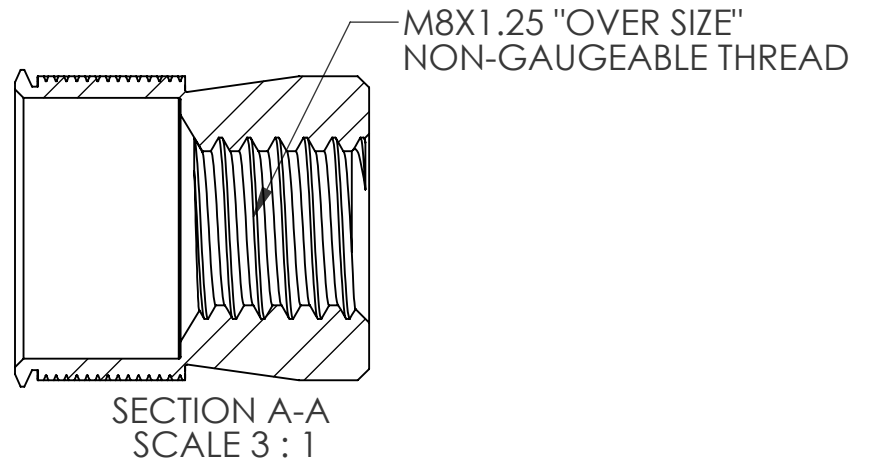
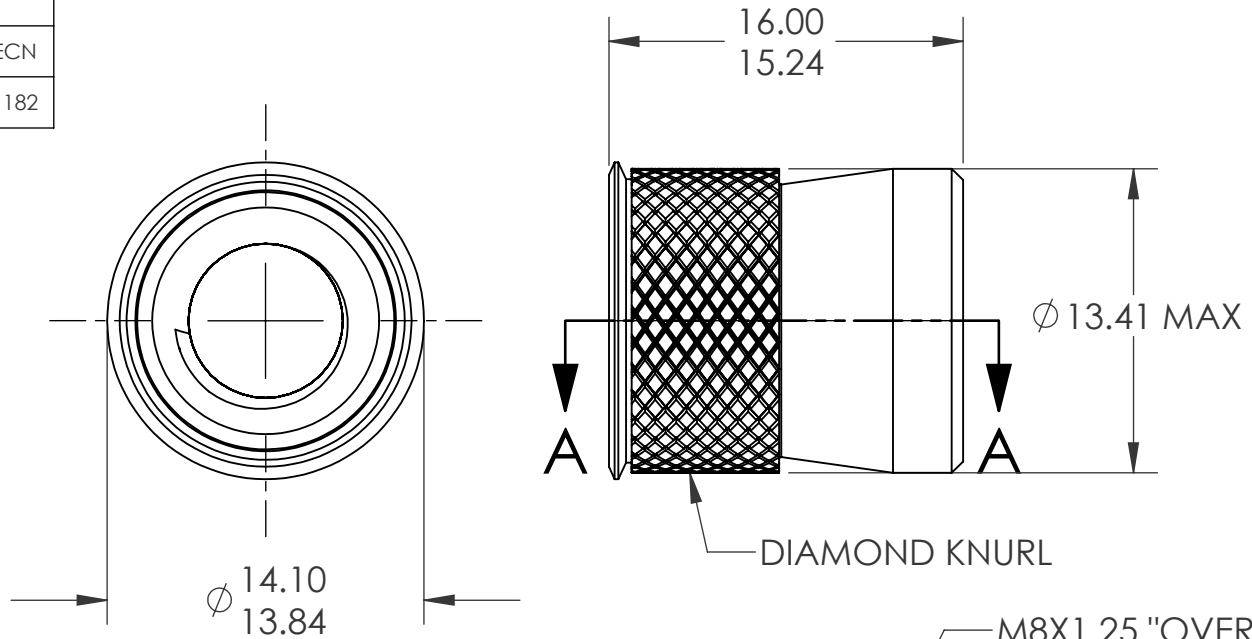
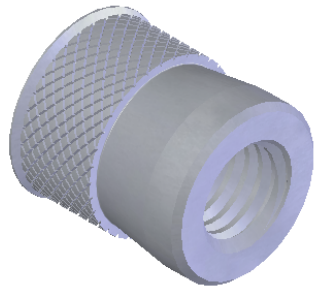


REVISIONS			
REV.	DESCRIPTION	DATE	ECN
A	INITIAL RELEASE	5/12/09	1182



**NOTE:**

- GRIP RANGE: 1.57 MIN.
- HOLE SIZE: AFTER ALL APPLIED FINISHES.
- INSTALLED LENGTH: N/A
- LUBRICATION: NONE
- INSTALLATION TOOL: SSG 803 SPIN SPIN

**PROPRIETARY AND CONFIDENTIAL**  
 THIS DRAWING, AND THE INFORMATION CONTAINED HEREIN, ARE THE PROPERTY OF SHEREX AND ARE NOT TO BE USED IN ANY MANNER DETRIMENTAL TO THE INTEREST OF THE COMPANY.  
 SHEREX SOLUTIONS RESERVES THE RIGHT TO REVISE PART/DRAWING WITHOUT NOTICE.

		UNLESS OTHERWISE SPECIFIED:		NAME	DATE		
		DIMENSIONS ARE IN MILLIMETERS TOLERANCES: ANGULAR: MACH ± 1 BEND ± 1 ONE PLACE DECIMAL ± 0.10 TWO PLACE DECIMAL ± 0.05		DRAWN	TWR		5/12/09
		INTERPRET GEOMETRIC TOLERANCING PER: ASME Y14.5M-1994		CHECKED			
		MATERIAL 6061-T6 ALUMINUM		ENG APPR.	JVK		5/12/09
		FINISH TIN ALLOY PER ASTM B545		MFG APPR.			
NEXT ASSY	USED ON			Q.A.	JVK	5/12/09	
APPLICATION		DO NOT SCALE DRAWING		COMMENTS: E-mail: info@sherex.com www.sherex.com Phone: 866-474-3739 Fax: 716-875-0358		<b>TITLE:</b> <b>CADMIUM FREE          KNURLED BODY SWAGING</b>	
				<b>SIZE DWG. NO.</b> <b>A CFW3-8125</b>		<b>REV</b> <b>A</b>	
				SCALE: 2:1 WEIGHT: .0079 kg		SHEET 1 OF 1	