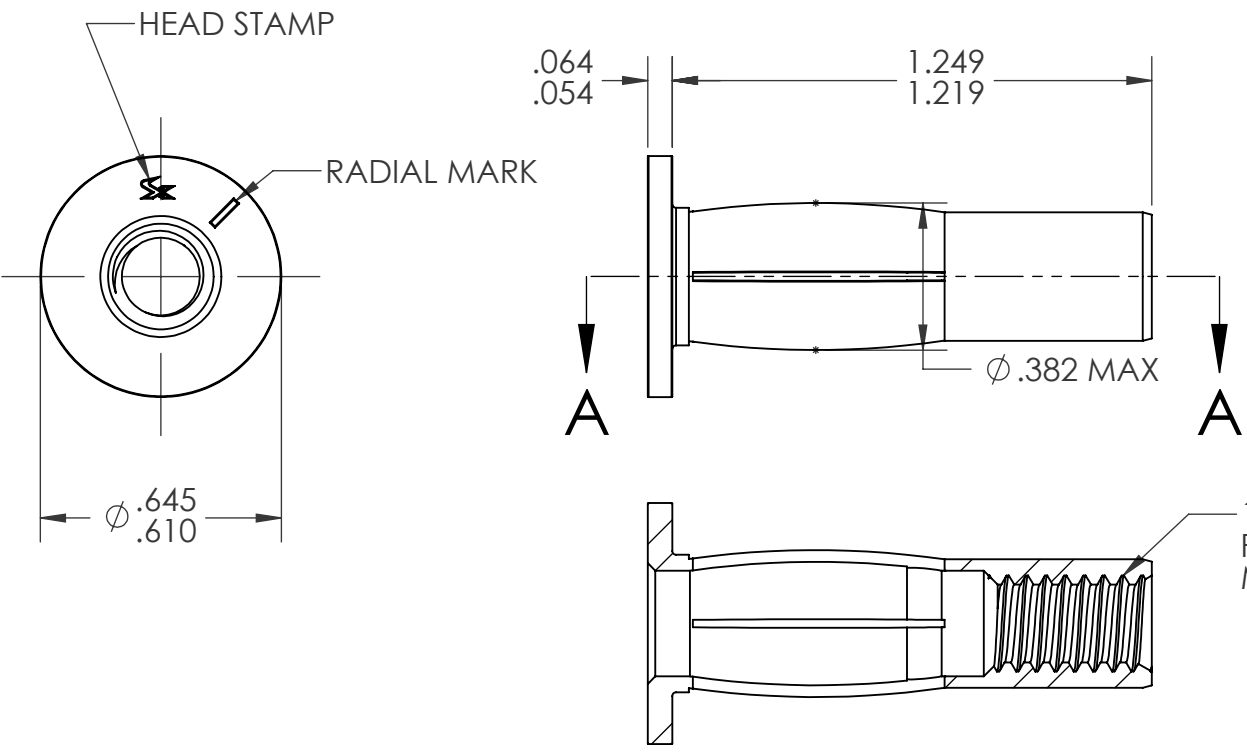
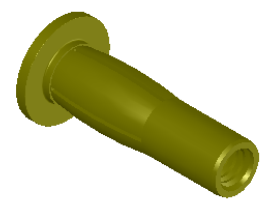


| REVISIONS | | | |
|-----------|--------------------------------|---------|------|
| REV. | DESCRIPTION | DATE | ECN |
| A | INITIAL RELEASE | 5/23/05 | N/A |
| B | UPDATE PLATING SPEC, BODY DIA | 3/15/10 | 1289 |
| C | NEW FINISH PER SFS-01-001, SC2 | 1/26/15 | 1751 |



SECTION A-A




NOTE:

- GRIP RANGE: .280 - .500
- HOLE SIZE: .393 +.006/-.000 AFTER ALL APPLIED FINISHES.
- INSTALLED LENGTH: .505 REF.
- LUBRICATION: WAX
- INSTALLATION TOOL: SSG 802 SPIN SPIN

PROPRIETARY AND CONFIDENTIAL
 THIS DRAWING, AND THE INFORMATION CONTAINED HEREIN, ARE THE PROPERTY OF SHEREX AND ARE NOT TO BE USED IN ANY MANNER DETRIMENTAL TO THE INTEREST OF THE COMPANY.
 SHEREX RESERVES THE RIGHT TO REVISE PART/DRAWING WITHOUT NOTICE.

| | | | | | | |
|-------------|---------|---|--|--|--|---------------------------------------|
| | | UNLESS OTHERWISE SPECIFIED: DIMENSIONS ARE IN INCHES TOLERANCES: ANGULAR: MACH ±1 BEND ±1 TWO PLACE DECIMAL ±.01 THREE PLACE DECIMAL ±.005 INTERPRET GEOMETRIC TOLERANCING PER: ASME Y14.5M-1994 MATERIAL C1008/C1010 FINISH ZINC PLATE W/YELLOW TRIVALENT CHROMATE PER SFS-01-001, SC2 | | | NAME TOO TOO AJP | DATE 5/23/05 5/23/05 5/23/05 |
| NEXT ASSY | USED ON | | | | COMMENTS: E-mail: info@sherex.com www.sherex.com Phone: 866-474-3739 Fax: 716-875-0358 | |
| APPLICATION | | DO NOT SCALE DRAWING | | | | |

| | | |
|--|---------------------------|--------------|
|  TITLE: PREBULBED SLOTTED BODY | | |
| SIZE A | DWG. NO. CPB2-2520-500 | REV C |
| SCALE: 2:1 | WEIGHT: .0080 kg | SHEET 1 OF 1 |