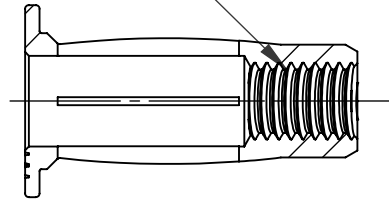
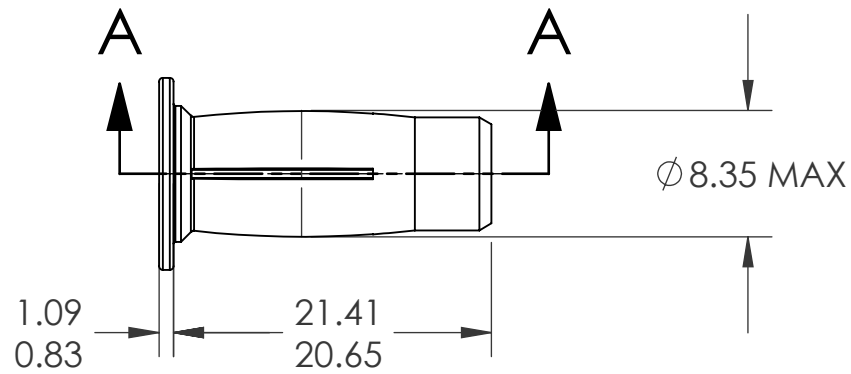
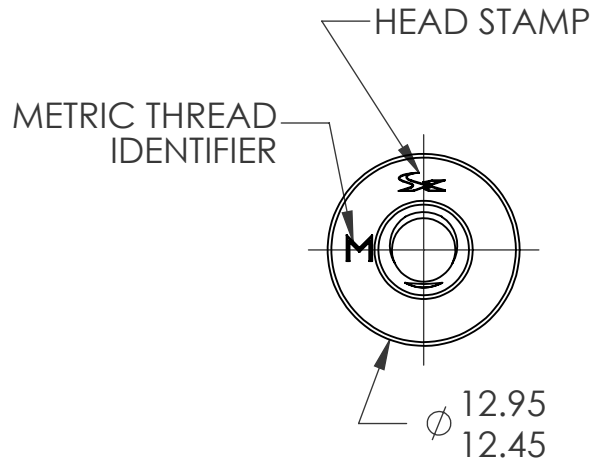
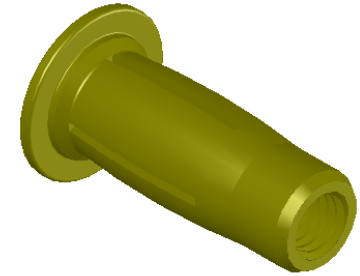


REVISIONS			
REV.	DESCRIPTION	DATE	ECN
A	INITIAL RELEASE	5/23/05	
B	NEW FINISH PER SFS-01-001, SC2, CORRECTED TOLERANCES TO METRIC	3/9/15	1797

M5X0.8 6H
PER ASME B1.13M
MINOR DIA.: 4.13 - 4.33



SECTION A-A



NOTE:

- GRIP RANGE: 0.50 - 4.45
- HOLE SIZE: 8.55 +0.15/-0.0 AFTER ALL APPLIED FINISHES.
- INSTALLED LENGTH: 10.00 REF.
- LUBRICATION: NONE
- INSTALLATION TOOL: SSG 802 SPIN SPIN

PROPRIETARY AND CONFIDENTIAL

THIS DRAWING, AND THE INFORMATION CONTAINED HEREIN, ARE THE PROPERTY OF SHEREX AND ARE NOT TO BE USED IN ANY MANNER DETRIMENTAL TO THE INTEREST OF THE COMPANY.
SHEREX SOLUTIONS RESERVES THE RIGHT TO REVISE PART/DRAWING WITHOUT NOTICE.

		UNLESS OTHERWISE SPECIFIED:		NAME	DATE	
		DIMENSIONS ARE IN MILLIMETERS TOLERANCES: ANGULAR: MACH ± 1 BEND ± 1 TWO PLACE DECIMAL $\pm .10$ THREE PLACE DECIMAL $\pm .05$	DRAWN	TOO	5/23/05	
		INTERPRET GEOMETRIC TOLERANCING PER: ASME Y14.5M-1994	CHECKED			TITLE: PRE-BULBED SLOTTED BODY
		MATERIAL C1008/C1010	ENG APPR.	TOO	5/23/05	
		FINISH ZINC PLATE W/YELLOW TRIVALENT CHROMATE PER SFS-01-001, SC2	MFG APPR.	AJP	5/23/05	SIZE DWG. NO. A CPB2-580-4.45
NEXT ASSY	USED ON		Q.A.			
APPLICATION		DO NOT SCALE DRAWING	COMMENTS: E-mail: info@sherex.com www.sherex.com Phone: 866-474-3739 Fax: 716-875-0358			SCALE: 2:1 WEIGHT: .0047 kg SHEET 1 OF 1