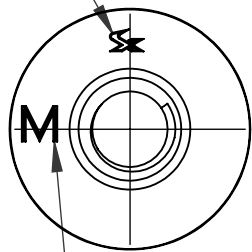
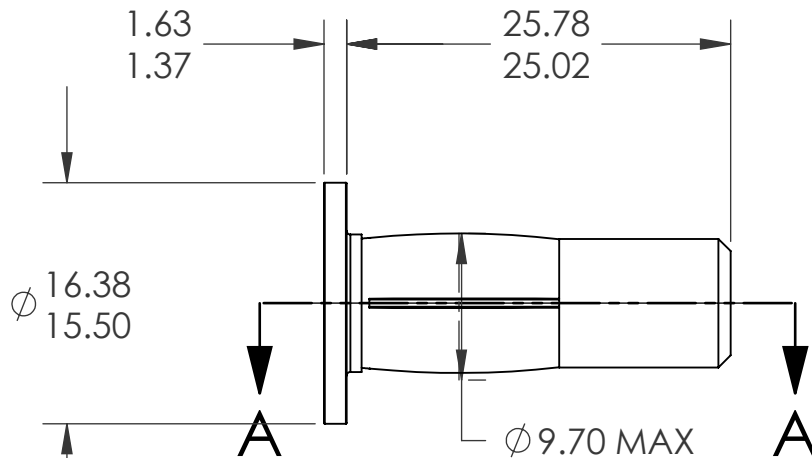


HEAD STAMP

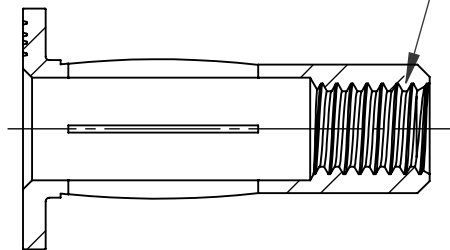


METRIC THREAD IDENTIFIER

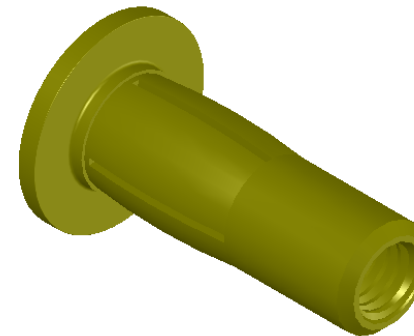


| REVISIONS | | | |
|-----------|--------------------------------|---------|------|
| REV. | DESCRIPTION | DATE | ECN |
| C | NEW FINISH PER SFS-01-001, SC2 | 1/26/15 | 1751 |

M6X1.0 6H
PER ASME B1.13M
MINOR DIA.: 4.92 - 5.15



SECTION A-A



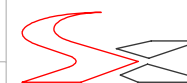
NOTE:

- GRIP RANGE: 0.50 - 7.10
- HOLE SIZE: 10.00 +0.15/-0.0 AFTER ALL APPLIED FINISHES.
- INSTALLED LENGTH: 12.80 REF.
- LUBRICATION: WAX
- INSTALLATION TOOL: SSG 802 SPIN SPIN

PROPRIETARY AND CONFIDENTIAL

THIS DRAWING, AND THE INFORMATION CONTAINED HEREIN, ARE THE PROPERTY OF SHEREX AND ARE NOT TO BE USED IN ANY MANNER DETRIMENTAL TO THE INTEREST OF THE COMPANY.
SHEREX SOLUTIONS RESERVES THE RIGHT TO REVISE PART/DRAWING WITHOUT NOTICE.

| | | | | | |
|-------------|---------|--|-----------|---|---------|
| | | UNLESS OTHERWISE SPECIFIED: | | NAME | DATE |
| | | DIMENSIONS ARE IN METRIC TOLERANCES: ANGULAR: MACH ± 1 BEND ± 1 ONE PLACE DECIMAL ± .5 TWO PLACE DECIMAL ± .25 | DRAWN | TOO | 7/20/05 |
| | | INTERPRET GEOMETRIC TOLERANCING PER: ASME Y14.5M-1994 | CHECKED | | |
| | | MATERIAL | ENG APPR. | TOO | 7/20/05 |
| | | C1008/C1010 | MFG APPR. | AJP | 7/20/05 |
| | | FINISH | Q.A. | | |
| | | ZINC PLATE W/YELLOW TRIVALENT CHROMATE PER SFS-01-001, SC2 | COMMENTS: | E-mail: info@sherex.com www.sherex.com Phone: 866-474-3739 Fax: 716-875-0358 | |
| NEXT ASSY | USED ON | DO NOT SCALE DRAWING | | | |
| APPLICATION | | | | | |



TITLE:
PREBULBED SLOTTED BODY

SIZE DWG. NO. REV
A CPB2-610-7.1 C

SCALE: 2:1 WEIGHT: .0073 kg SHEET 1 OF 1