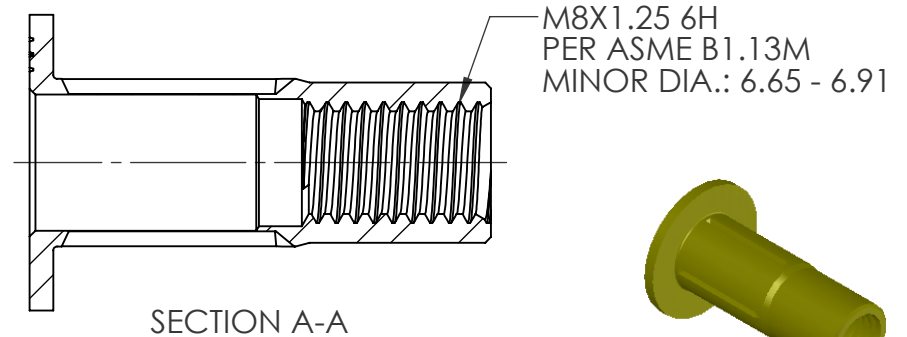
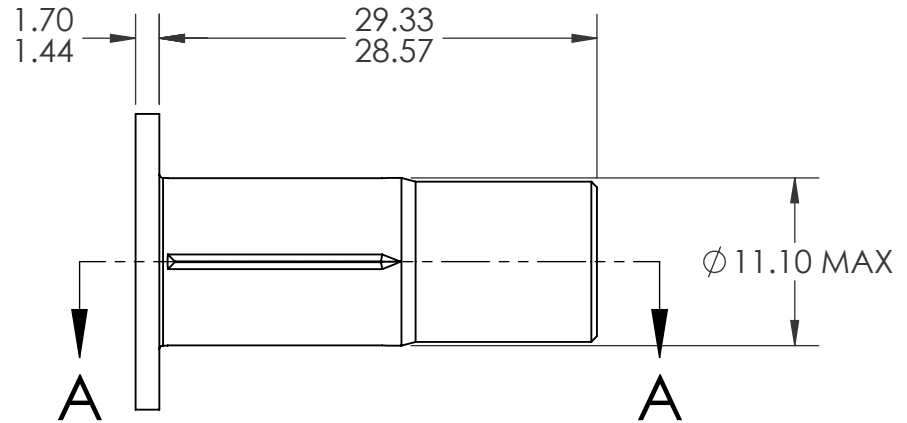
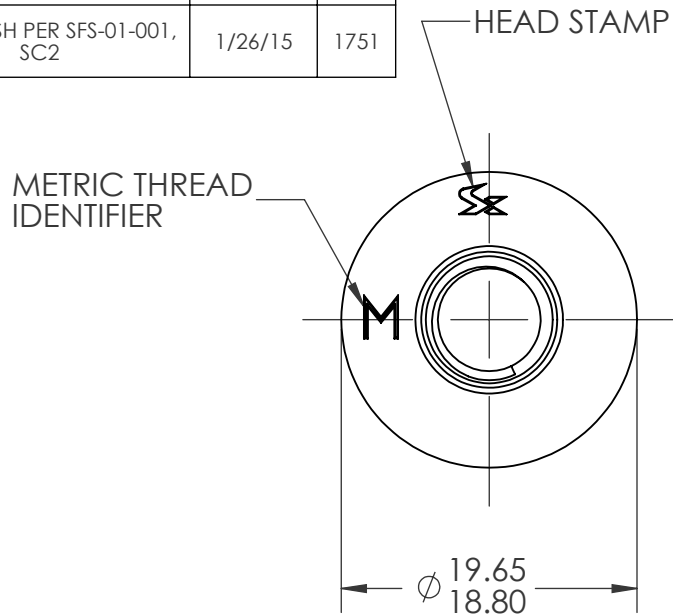


REVISIONS			
REV.	DESCRIPTION	DATE	ECN
A	INITIAL RELEASE	5/23/05	
B	NEW FINISH PER SFS-01-001, SC2	1/26/15	1751



NOTE:

- GRIP RANGE: 0.5 - 7.1
- HOLE SIZE: 11.11 +0.15/-0.0 AFTER ALL APPLIED FINISHES.
- INSTALLED LENGTH: 14.48 REF.
- LUBRICATION: NONE
- INSTALLATION TOOL: MS 50 SPIN PULL

PROPRIETARY AND CONFIDENTIAL
 THIS DRAWING, AND THE INFORMATION CONTAINED HEREIN, ARE THE PROPERTY OF SHEREX AND ARE NOT TO BE USED IN ANY MANNER DETRIMENT TO THE INTEREST OF THE COMPANY.
 SHEREX RESERVES THE RIGHT TO REVISE PART/DRAWING WITHOUT NOTICE.

		UNLESS OTHERWISE SPECIFIED: DIMENSIONS ARE IN MILLIMETERS TOLERANCES: ANGULAR: MACH ±1 BEND ±1 TWO PLACE DECIMAL ±.10 THREE PLACE DECIMAL ±.05 INTERPRET GEOMETRIC TOLERANCING PER: ASME Y14.5M-1994			NAME	DATE
		MATERIAL C1008/C1010			TOO	5/23/05
		FINISH ZINC PLATE W/YELLOW TRIVALENT CHROMATE PER SFS-01-001			CHECKED	
					ENG APPR.	TOO 5/23/05
					MFG APPR.	AJP 5/23/05
					Q.A.	
					COMMENTS: E-mail: info@sherex.com www.sherex.com Phone: 866-474-3739 Fax: 716-875-0358	
NEXT ASSY	USED ON					
APPLICATION		DO NOT SCALE DRAWING				



TITLE:
 STRAIGHT SHANK SLOTTED BODY

SIZE A	DWG. NO. CPN2-8125-7.1	REV B
------------------	---------------------------	----------

SCALE: 2:1 WEIGHT: .0116 kg SHEET 1 OF 1