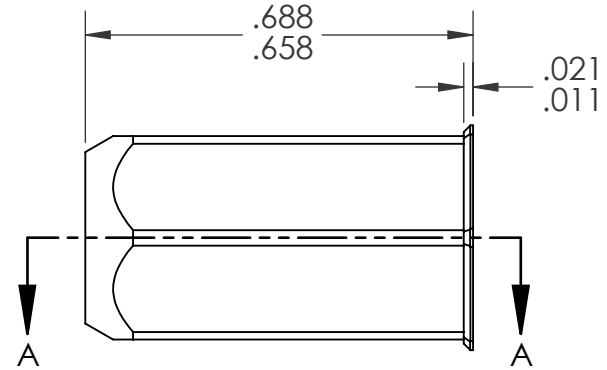
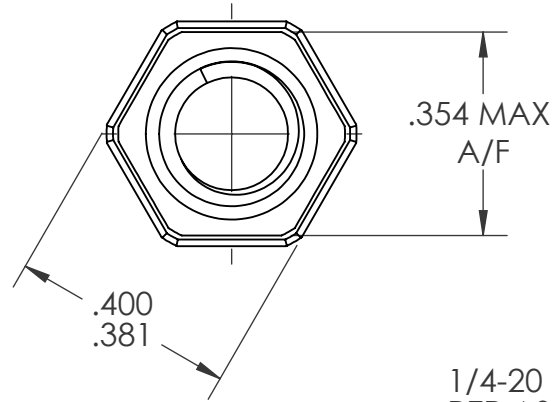
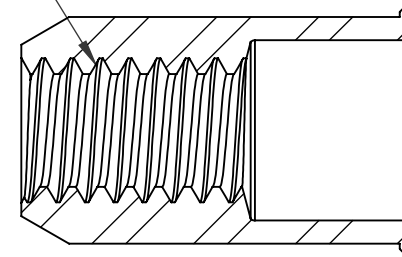


REVISIONS			
REV.	DESCRIPTION	DATE	ECN
A	INITIAL RELEASE	10/16/14	1705



1/4-20 UNC 2B
PER ASME B1.1
MINOR DIA.: .196 - .207



SECTION A-A
SCALE 3 : 1



NOTE:

- GRIP RANGE: .039 - .138
- HOLE SIZE: .354 +.004/-0.000 A/F AFTER ALL APPLIED FINISHES.
- INSTALLED LENGTH: .469 REF.
- LUBRICATION: NONE
- INSTALLATION TOOL: FLEX 5P/5S SPIN PULL
- THREAD PROOF LOAD MEETS GRADE 5 PER SAE J995: 4,250LBF

PROPRIETARY AND CONFIDENTIAL

THIS DRAWING, AND THE INFORMATION CONTAINED HEREIN, ARE THE PROPERTY OF SHEREX AND ARE NOT TO BE USED IN ANY MANNER DETRIMENTAL TO THE INTEREST OF THE COMPANY.
SHEREX SOLUTIONS RESERVES THE RIGHT TO REVISE PART/DRAWING WITHOUT NOTICE.

		UNLESS OTHERWISE SPECIFIED:		NAME	DATE	
		DIMENSIONS ARE IN INCHES TOLERANCES: ANGULAR: MACH ± 1 BEND ± 1 TWO PLACE DECIMAL ± .01 THREE PLACE DECIMAL ± .005		DRAWN	CL	
		INTERPRET GEOMETRIC TOLERANCING PER: ASME Y14.5M-1994		CHECKED		
		MATERIAL		ENG APPR.	JVK	10/16/14
		C1008/C1010		MFG APPR.		
		FINISH		Q.A.	JR	10/16/14
		ZINC PLATE CLEAR TRIVALENT CHROMATE PER SHEREX SFS-01-001		COMMENTS:		TITLE: SMALL FLANGE FULL HEX
NEXT ASSY	USED ON			E-mail: info@sherex.com www.sherex.com Phone: 866-474-3739 Fax: 716-875-0358		
APPLICATION		DO NOT SCALE DRAWING		SIZE DWG. NO.		REV
				A FHK2-2520-138		A
				SCALE: 2:1 WEIGHT:		SHEET 1 OF 1