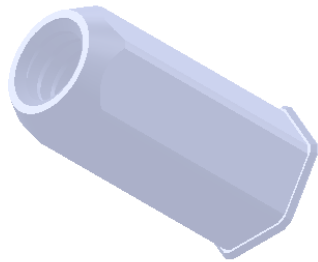
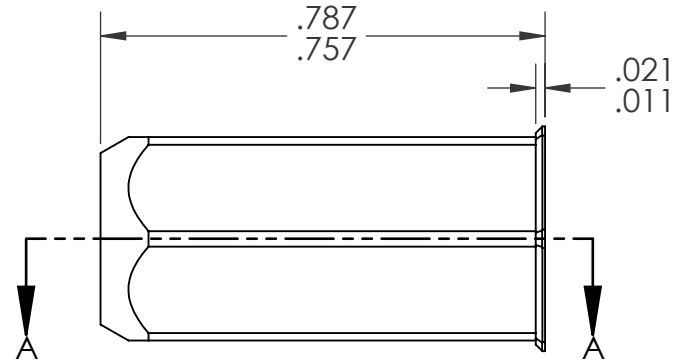
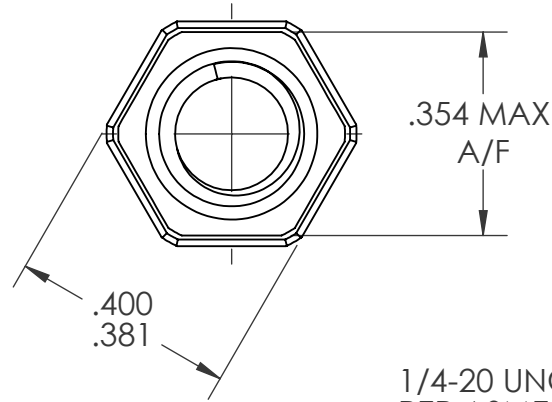
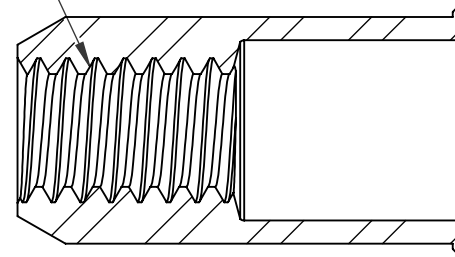


| REVISIONS |                 |          |      |
|-----------|-----------------|----------|------|
| REV.      | DESCRIPTION     | DATE     | ECN  |
| A         | INITIAL RELEASE | 10/16/14 | 1705 |



1/4-20 UNC 2B  
PER ASME B1.1  
MINOR DIA.: .196 - .207



SECTION A-A  
SCALE 3 : 1

NOTE:

- GRIP RANGE: .138 - .236
- HOLE SIZE: .354 +.004/-.000 A/F AFTER ALL APPLIED FINISHES.
- INSTALLED LENGTH: .469 REF.
- LUBRICATION: NONE
- INSTALLATION TOOL: FLEX 5P/5S SPIN PULL
- THREAD PROOF LOAD MEETS GRADE 5 PER SAE J995: 4,250LBF

**PROPRIETARY AND CONFIDENTIAL**

THIS DRAWING, AND THE INFORMATION CONTAINED HEREIN, ARE THE PROPERTY OF SHEREX AND ARE NOT TO BE USED IN ANY MANNER DETRIMENTAL TO THE INTEREST OF THE COMPANY.  
SHEREX SOLUTIONS RESERVES THE RIGHT TO REVISE PART/DRAWING WITHOUT NOTICE.

|           |             |  |                         |              |
|-----------|-------------|--|-------------------------|--------------|
|           |             | UNLESS OTHERWISE SPECIFIED:  | NAME                    | DATE         |
|           |             | DIMENSIONS ARE IN INCHES<br>TOLERANCES:<br>ANGULAR: MACH ± 1 BEND ± 1<br>TWO PLACE DECIMAL ± .01<br>THREE PLACE DECIMAL ± .005 | DRAWN                   | CL 10/16/14  |
|           |             | INTERPRET GEOMETRIC<br>TOLERANCING PER:<br>ASME Y14.5M-1994  | CHECKED                 |              |
|           |             | MATERIAL   | ENG APPR.               | JVK 10/16/14 |
|           |             | C1008/C1010  | MFG APPR.               |              |
|           |             | FINISH   | Q.A.                    | JR 10/16/14  |
|           |             | ZINC PLATE CLEAR TRIVALENT<br>CHROMATE PER SHEREX SFS-01-001   | COMMENTS:               |              |
| NEXT ASSY | USED ON     |  | E-mail: info@sherex.com |              |
|           |             |  | www.sherex.com          |              |
|           |             |  | Phone: 866-474-3739     |              |
|           |             |  | Fax: 716-875-0358       |              |
|           | APPLICATION | DO NOT SCALE DRAWING   |                         |              |



TITLE:

SMALL FLANGE FULL HEX

SIZE DWG. NO.

**A**

FHK2-2520-236

REV

**A**

SCALE: 2:1 WEIGHT:

SHEET 1 OF 1