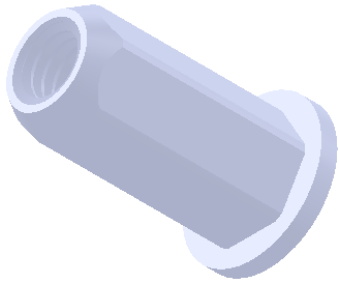
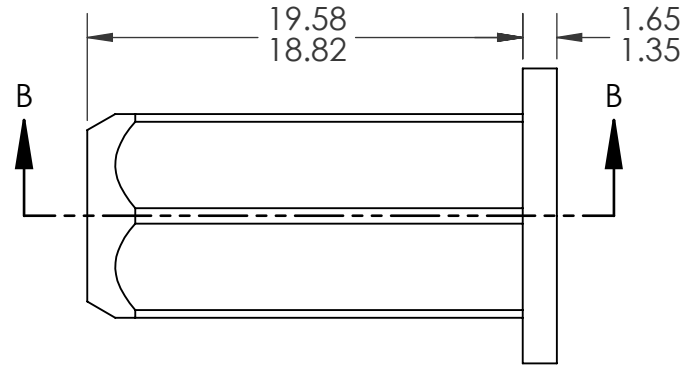
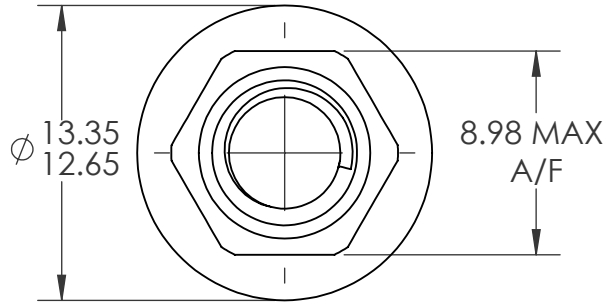
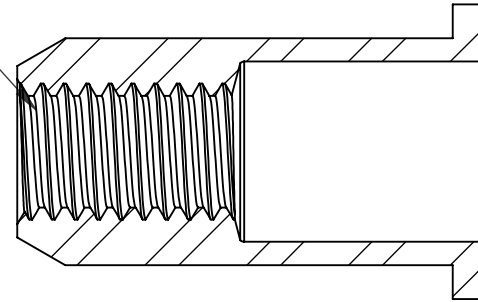


REVISIONS			
REV.	DESCRIPTION	DATE	ECN
A	INITIAL RELEASE	10/17/14	1707



M6X1.0 6H
PER ASME B1.13M
MINOR DIA.: 4.92 - 5.15



SECTION B-B
SCALE 3 : 1

NOTE:

- GRIP RANGE: 3.5 - 6.0
- HOLE SIZE: 9.0 +.10/-.00 A/F AFTER ALL APPLIED FINISHES.
- INSTALLED LENGTH: 11.9 REF.
- LUBRICATION: NONE
- INSTALLATION TOOL: FLEX 5P/5S SPIN PULL
- THREAD PROOF LOAD MEETS CLASS 8 PER ISO 898-2: 17.2kN

PROPRIETARY AND CONFIDENTIAL
THIS DRAWING, AND THE INFORMATION CONTAINED HEREIN, ARE THE PROPERTY OF SHEREX AND ARE NOT TO BE USED IN ANY MANNER DETRIMENTAL TO THE INTEREST OF THE COMPANY.
SHEREX SOLUTIONS RESERVES THE RIGHT TO REVISE PART/DRAWING WITHOUT NOTICE.

		UNLESS OTHERWISE SPECIFIED:		NAME	DATE			
		DIMENSIONS ARE IN MILLIMETERS TOLERANCES: ANGULAR: MACH ± 1 BEND ± 1 ONE PLACE DECIMAL ± 0.10 TWO PLACE DECIMAL ± 0.05	DRAWN	MJK	10/17/14			
		INTERPRET GEOMETRIC TOLERANCING PER: ASME Y14.5M-1994	CHECKED			TITLE: LARGE FLANGE FULL HEX		
		MATERIAL C1008/C1010	ENG APPR.	JVK	10/17/14			
		FINISH ZINC PLATE CLEAR TRIVALENT CHROMATE PER SHEREX SFS-01-001	MFG APPR.			SIZE DWG. NO.	REV	
NEXT ASSY	USED ON		Q.A.	JR	10/17/14	A	FHL2-610-6.0	A
APPLICATION		DO NOT SCALE DRAWING	COMMENTS: E-mail: info@sherex.com www.sherex.com Phone: 866-474-3739 Fax: 716-875-0358			SCALE: 2:1	WEIGHT:	SHEET 1 OF 1