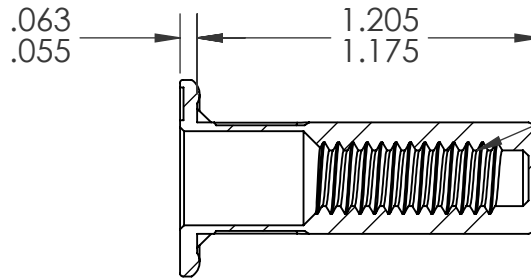
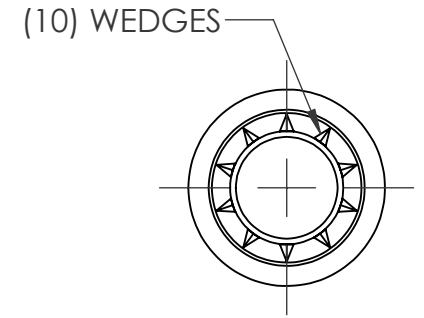
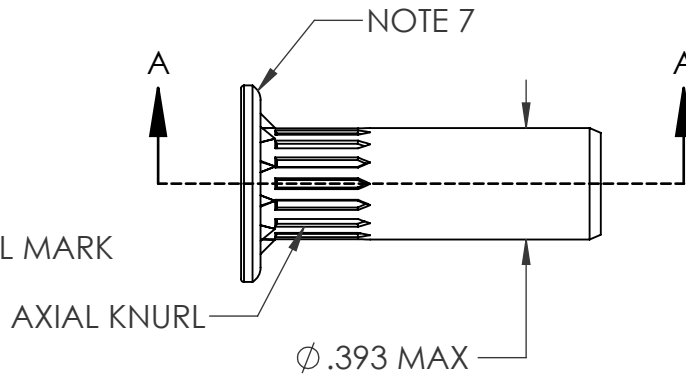
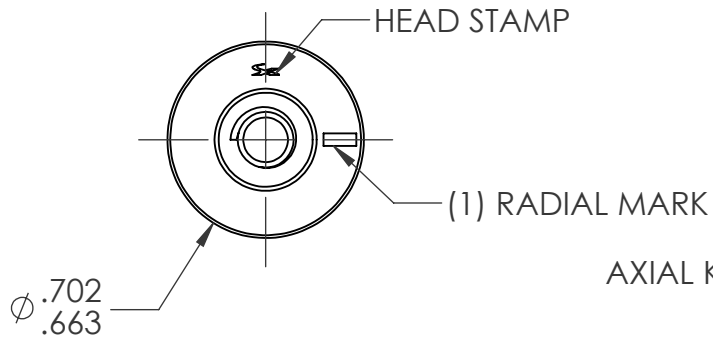
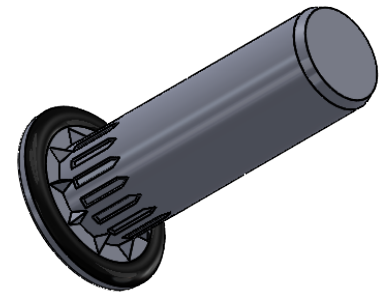


REVISIONS				
REV.	DESCRIPTION	DATE	ECN	INITIALS
A	INITIAL RELEASE	02/08/2023	4193	MRA



1/4"-20 UNC 2B
PER ASME B1.1
MINOR DIA.: .196 - .207

SECTION A-A
SCALE 1.5 : 1



NOTE:

- GRIP RANGE: .138 - .236
- HOLE SIZE: .394 +.006/-.000 AFTER ALL APPLIED FINISHES.
- INSTALLED LENGTH: .896 MAX.
- INSTALLED THREAD DEPTH: .748 MIN. IN MIN. GRIP
- INSTALLATION TOOL: SPIN-PULL
- THREAD MUST MEET GRADE 5 PROOF LOAD PER SAE J995: 4250 lbf.
- DEPOSIT PLASTISOL ALONG OUTER GROOVE OF THE HEAD.

PROPRIETARY AND CONFIDENTIAL

THIS DRAWING, AND THE INFORMATION CONTAINED HEREIN, ARE THE PROPERTY OF SHEREX AND ARE NOT TO BE USED IN ANY MANNER DETRIMENTAL TO THE INTEREST OF THE COMPANY.
SHEREX SOLUTIONS RESERVES THE RIGHT TO REVISE PART/DRAWING WITHOUT NOTICE.

		UNLESS OTHERWISE SPECIFIED:	NAME	DATE
		DIMENSIONS ARE IN INCHES TOLERANCES: ANGULAR: MACH ± 1 BEND ± 1 TWO PLACE DECIMAL ± .01 THREE PLACE DECIMAL ± .005	DRAWN	MRA 2/8/23
		INTERPRET GEOMETRIC TOLERANCING PER: ASME Y14.5M-1994	CHECKED	
		MATERIAL	ENG APPR.	JVK 2/8/23
		C1008/C1010 STEEL	MFG APPR.	
		FINISH	Q.A.	
		ZINC PLATE CLEAR TRIVALENT CHROMATE PER SFS-01-001; SC1	COMMENTS:	
NEXT ASSY	USED ON		E-mail: info@sherex.com	
			www.sherex.com	
			Phone: 866-474-3739	
			Fax: 716-875-0358	
APPLICATION		DO NOT SCALE DRAWING		



TITLE:

1/4"-20 CLOSED END LARGE
FLANGE OPTISERT

SIZE DWG. NO.

A OPT2-2520-236BS

REV

A

SCALE: 3:2 WEIGHT:

SHEET 1 OF 1