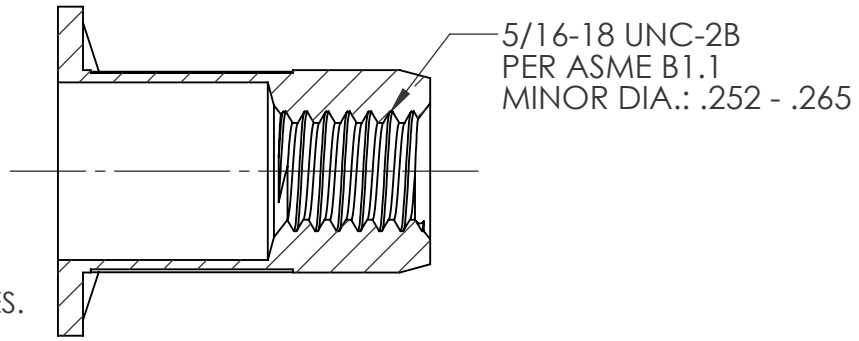
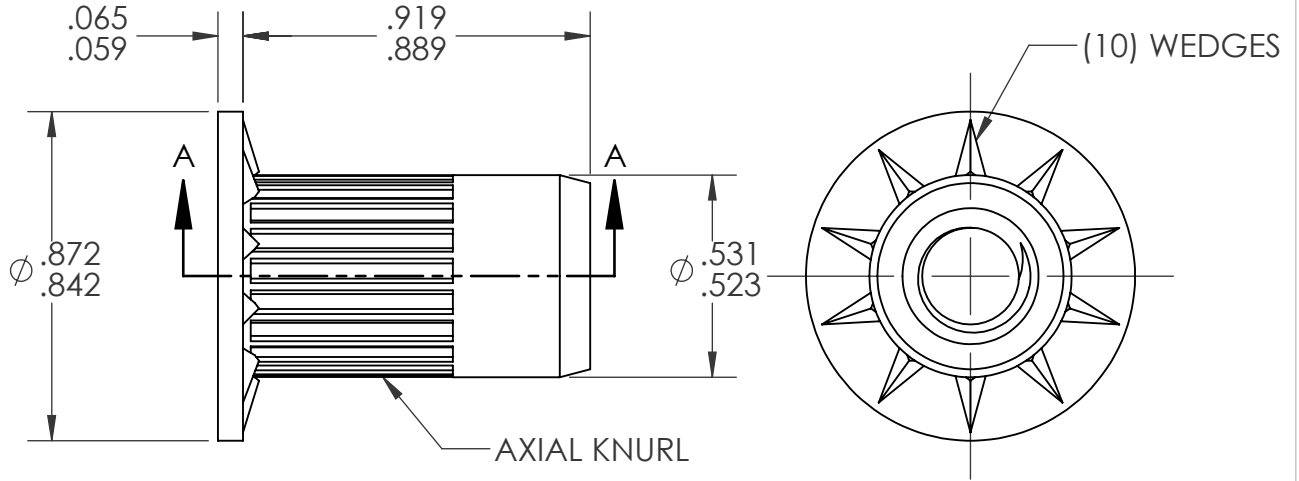
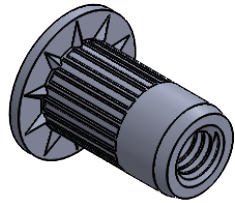
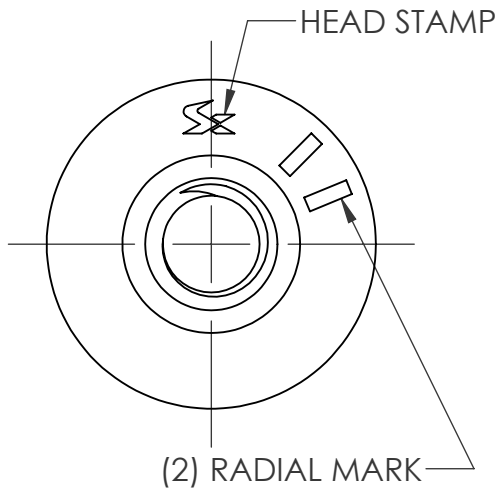


REVISIONS				
REV.	DESCRIPTION	DATE	ECN	INITIAL
A	INITIAL RELEASE	2/3/21	3698	MTB



SECTION A-A

NOTE:

- GRIP RANGE: .236 - .335
- HOLE SIZE: .532 +.006/-.000 AFTER ALL APPLIED FINISHES.
- INSTALLED LENGTH: .492 MAX.
- LUBRICATION: NONE
- INSTALLATION TOOL: SPIN-PULL
- THREADS MEET GRADE 5 PROOF LOAD: 6950lbf PER SAE J995

PROPRIETARY AND CONFIDENTIAL

THIS DRAWING, AND THE INFORMATION CONTAINED HEREIN, ARE THE PROPERTY OF SHEREX AND ARE NOT TO BE USED IN ANY MANNER DETRIMENTAL TO THE INTEREST OF THE COMPANY.

SHEREX SOLUTIONS RESERVES THE RIGHT TO REVISE PART/DRAWING WITHOUT NOTICE.

UNLESS OTHERWISE SPECIFIED, ALL SPECIFICATIONS REFERENCED ON THIS DRAWING WILL PERTAIN TO THE MOST RECENT AND ACTIVE REVISION.

		UNLESS OTHERWISE SPECIFIED:	NAME	DATE	
		DIMENSIONS ARE IN INCHES TOLERANCES: ANGULAR: MACH ±1 BEND ±1 TWO PLACE DECIMAL ±.01 THREE PLACE DECIMAL ±.005	DRAWN	MTB	
		INTERPRET GEOMETRIC TOLERANCING PER: ASME Y14.5M-1994	CHECKED		
		MATERIAL	ENG APPR.	CL	2/3/21
		C1008/C1010 STEEL	MFG APPR.		
		FINISH	Q.A.		
		ZINC PLATE CLEAR TRIVALENT CHROMATE PER SFS-01-001, SC1	COMMENTS:	TITLE:	
NEXT ASSY	USED ON		E-mail: info@sherex.com	5/16-18 OPEN END LARGE FLANGE OPTISERT	
			www.sherex.com	SIZE DWG. NO.	REV
			Phone: 866-474-3739	A OPT2-3118-335	A
			Fax: 716-875-0358	SCALE: 2:1	WEIGHT:
APPLICATION	DO NOT SCALE DRAWING				SHEET 1 OF 1