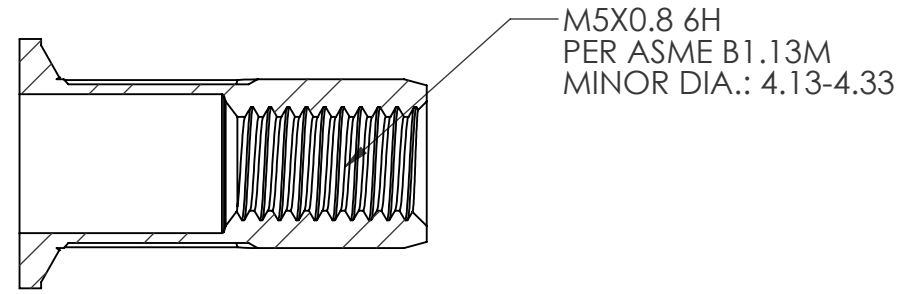
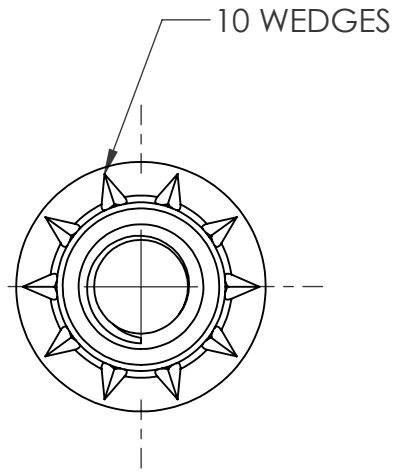
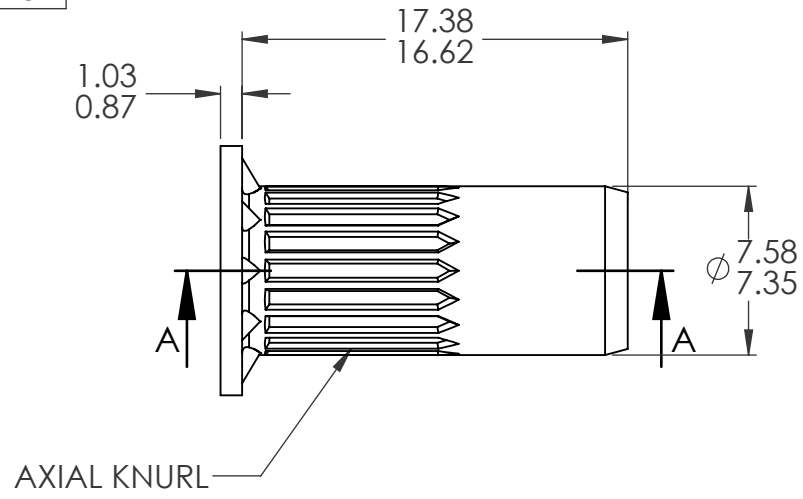
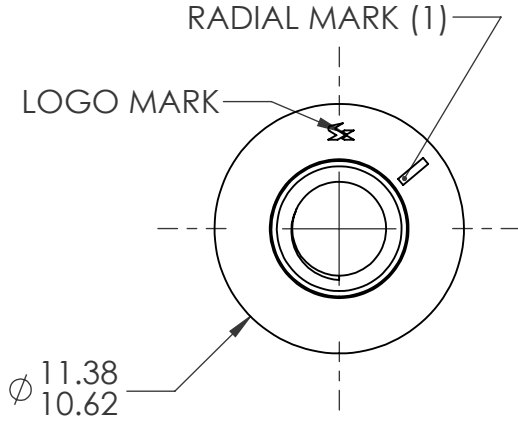



REVISIONS				
REV.	DESCRIPTION	DATE	ECN	INITIAL
A	INITIAL RELEASE	10/7/2020	3692	TDJ



SECTION A-A

- NOTE:**
1. GRIP RANGE: 3.0 - 5.5
 2. HOLE SIZE: 7.60 +0.15-0.00 AFTER ALL APPLIED FINISHES.
 3. INSTALLED LENGTH: 10.5 MAX.
 4. LUBRICATION: NONE
 5. INSTALLATION TOOL: SPIN PULL

CUSTOMER APPROVAL:				UNLESS OTHERWISE SPECIFIED:				
DATE:				DIMENSIONS ARE IN MILLIMETERS		DRAWN TDJ 10/7/2020		
				TOLERANCES:		CHECKED CL 10/7/2020		TITLE: M5 OPEN END LARGE FLANGE OPTISERT
				ANGULAR: MACH ± 1 BEND ± 1		ENG APPR. JVK 10/7/2020		
				ONE PLACE DECIMAL ± 0.3		MFG APPR.		
				TWO PLACE DECIMAL ± 0.08		Q.A.		SIZE DWG. NO. A OPT2-580-5.5 REV A
PROPRIETARY AND CONFIDENTIAL <small>THIS DRAWING, AND THE INFORMATION CONTAINED HEREIN, ARE THE PROPERTY OF SHEREX AND ARE NOT TO BE USED IN ANY MANNER DETRIMENTAL TO THE INTEREST OF THE COMPANY.</small> <small>SHEREX SOLUTIONS RESERVES THE RIGHT TO REVISE PART/DRAWING WITHOUT NOTICE.</small> <small>UNLESS OTHERWISE SPECIFIED, ALL SPECIFICATIONS REFERENCED ON THIS DRAWING WILL PERTAIN TO THE MOST RECENT AND ACTIVE REVISION.</small>		NEXT ASSY	USED ON	MATERIAL	COMMENTS: E-mail: info@sherex.com www.sherex.com Phone: 866-474-3739 Fax: 716-875-0358			
		APPLICATION		FINISH		SCALE: 3:1 WEIGHT:		SHEET 1 OF 1
				ZINC PLATE CLEAR TRIVALENT CHROMATE PER SFS-01-001; SC1		DO NOT SCALE DRAWING		