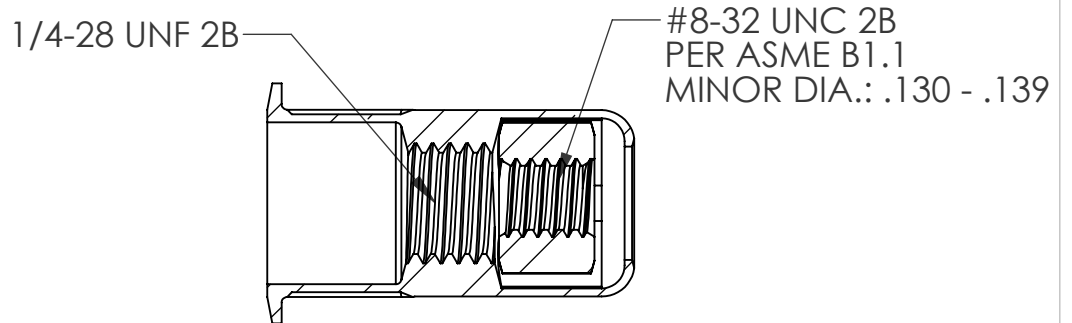
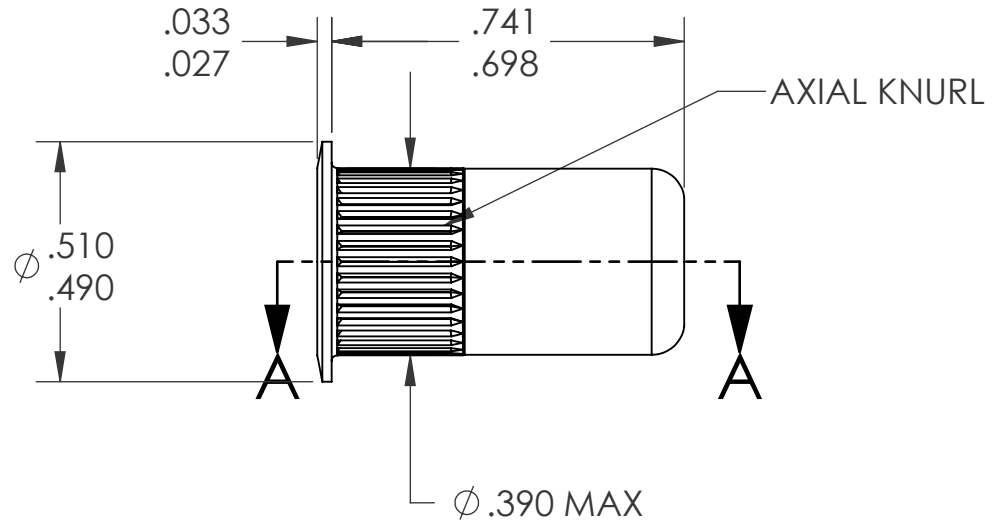
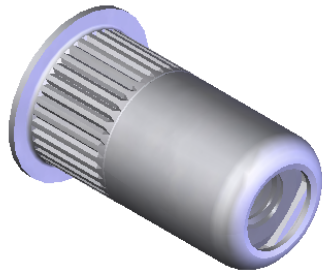
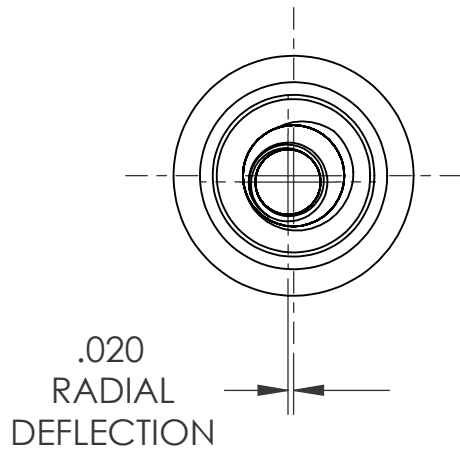


REVISIONS			
REV.	DESCRIPTION	DATE	ECN
A	INITIAL RELEASE	11/4/08	1107



SECTION A-A

NOTE:

- GRIP RANGE: .027 - .130
- HOLE SIZE: $\text{Ø} .391 +.006/-0.000$ AFTER ALL APPLIED FINISHES.
- INSTALLED LENGTH: .522 REF.
- INSTALLED THREAD DEPTH: N/A
- LUBRICATION: NONE
- INSTALLATION TOOL: MS 50 SPIN-PULL (1/4-28 MANDREL)

U.S. PATENT NO. 7,713,011

PROPRIETARY AND CONFIDENTIAL

THIS DRAWING, AND THE INFORMATION CONTAINED HEREIN, ARE THE PROPERTY OF SHEREX AND ARE NOT TO BE USED IN ANY MANNER DETRIMENTAL TO THE INTEREST OF THE COMPANY.
SHEREX SOLUTIONS RESERVES THE RIGHT TO REVISE PART/DRAWING WITHOUT NOTICE.

		UNLESS OTHERWISE SPECIFIED:	NAME	DATE
		DIMENSIONS ARE IN INCHES TOLERANCES: ANGULAR: MACH ±1 BEND ±1 TWO PLACE DECIMAL ±.01 THREE PLACE DECIMAL ±.005	DRAWN	JVK 11/3/08
		INTERPRET GEOMETRIC TOLERANCING PER: ASME Y14.5M-1994	CHECKED	
		MATERIAL	ENG APPR.	JVK 11/4/08
		BODY: C1008/1010 NUT: MED. CARBON STEEL	MFG APPR.	AP 11/13/08
		FINISH	Q.A.	
		BODY AND NUT: ZINC PLATE W/ CLEAR TRIVALENT CHROMATE RoHS COMPLIANT; 8-12 um	COMMENTS:	
NEXT ASSY	USED ON		E-mail: info@sherex.com	
			www.sherex.com	
			Phone: 866-474-3739	
			Fax: 716-875-0358	
		DO NOT SCALE DRAWING		



TITLE:
LARGE FLANGE RIV-FLOAT

SIZE DWG. NO. REV
A RFL2-0832-130 A

SCALE: 2:1 WEIGHT: .0053 kg SHEET 1 OF 1